

A8PL

DUAL FLOW - Bent Axis Piston Pump

Twin Flow or Double Flow Piston Pump Special Design



A8PL Pumps have the following advantages ;

- Compact Design,
- Economical Conception,
- High Power Density,
- High Overall Efficiency,
- High Rotating Speeds,
- High Output Pressure,
- 350 bar Cont. Work. Pressure,
- 400 bar Peak Pressure,
- From 5cc to 130cc,
- Reduced Noise Level,
- Increased Reliability,
- No Drain Line Necessary,
- Smaller Installation Dimensions,
- One Piece Pistons with Piston Rings,
- Special Inlet Fittings & Accessories,
- Simple Change of Direction of Rotation

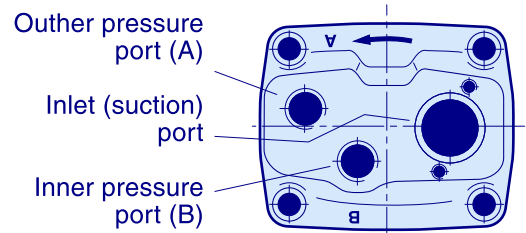
Twin Flow Bent Axis Piston Pumps (fixed displacement)

Specifications

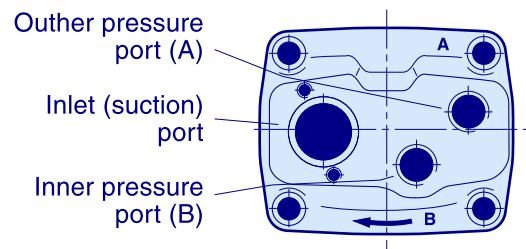
Frame size	53/53	70/35
Displacement [cm ³ /rev]		
Port A	54	69
Port B	52	36
Max operating pressure [bar]	350	350
Max shaft speed [rpm] (unloaded pump; low pressure)	2550	2550
Max selfpriming speed [rpm] Ports A ¹⁾²⁾ and B ¹⁾²⁾ pressurized	1800	1800
Port A ²⁾ unloaded, pressure in port B	2100	2100
Input power [kW]		
Max intermittent ³⁾	110	110
Max continuous	88	88
Weight [kg]	19	19

- 1) Valid with 2 1/2" inlet (suction) line; with 2" inlet line: max 1400 rpm.
- 2) Measured at 1.0 bar abs. inlet pressure.
Please note: A lower inlet pressure affects pump performance.
- 3) Max 6 seconds in any one minute.

'Left hand' and 'right hand' end caps



End cap for right hand rotating pump



End cap for left hand rotating pump

Flow vs. shaft speed (theoretical)

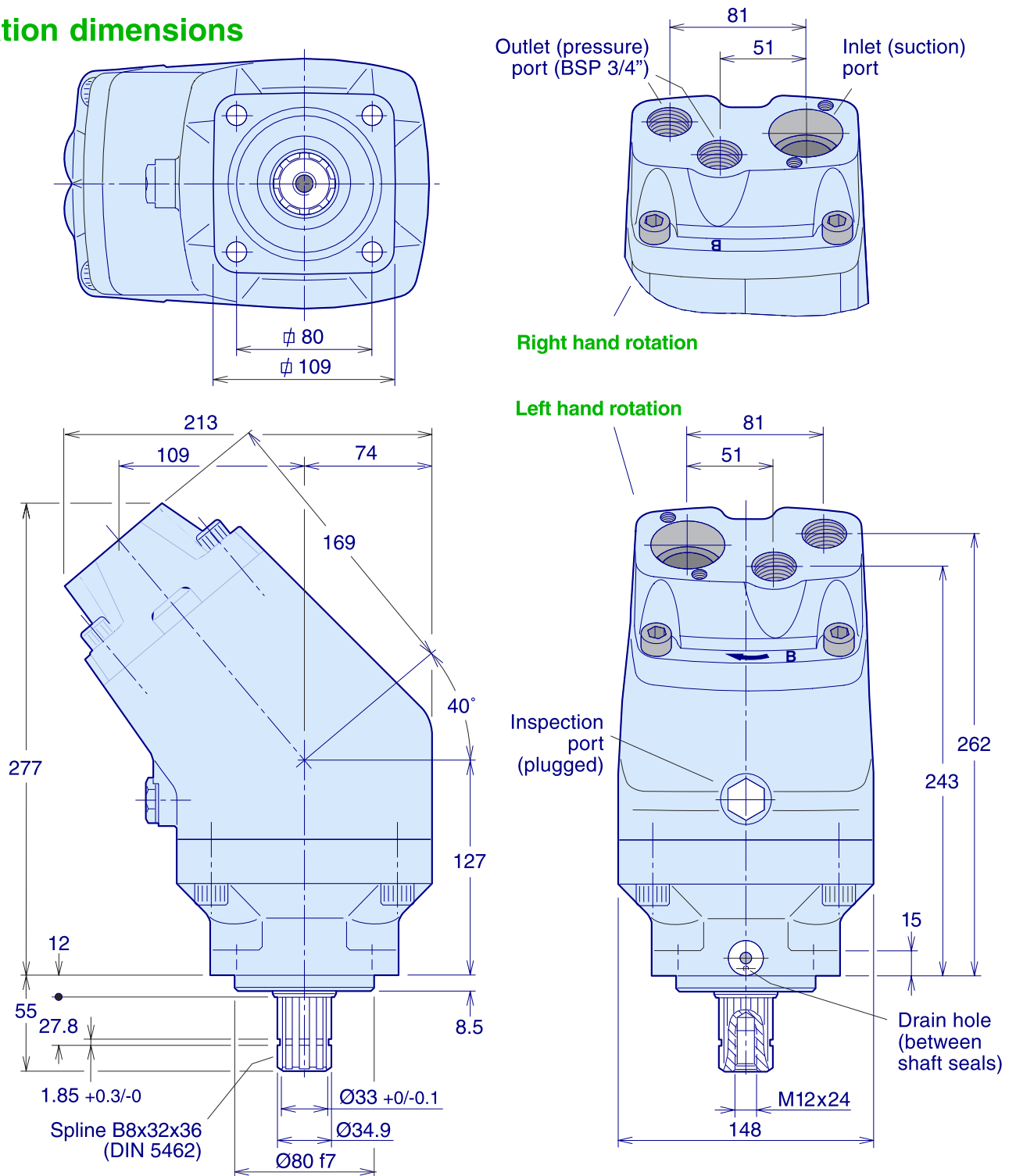
Pump speed [rpm]	800	1000	1200	1400	1600	1800	1900	2000	2100
53/53 flow [l/min]									
Port A	43	54	65	76	86	97	-	-	-
Port B	42	52	62	73	83	94	99	104	109
Total (ports A + B)	85	106	127	149	169	191	-	-	-
70/35 flow [l/min]									
Port A	55	69	83	97	110	124	-	-	-
Port B	29	36	43	50	58	65	68	72	76
Total (ports A + B)	84	105	126	147	168	189	-	-	-

Shaft torque vs. pressure (theoretical)

Pressure [bar]	150	200	250	300	350
53/53 torque [Nm]					
Port A	126	168	210	252	294
Port B	124	165	206	248	289
Total (ports A and B)	250	333	416	500	583
70/35 torque [Nm]					
Port A	164	219	274	329	383
Port B	86	114	143	171	200
Total (ports A and B)	250	333	417	500	583

Twin Flow Bent Axis Piston Pumps (fixed displacement)

Installation dimensions



Ordering code

53/53 - L	53/53 - R	Rotation
70/35 - L	70/35 - R	L : Left
76/76 - L	76/76 - R	R : Right
64/32 - L	64/32 - R	
46/46 - L	46/46 - R	
56/26 - L	56/26 - R	CW : Right
35/35 - L	35/35 - R	CCW : Left
40/40 - L	40/40 - R	
40/20 - L	40/20 - R	
28/28 - L	28/28 - R	
20/20 - L	20/20 - R	W : Bi-Direct.

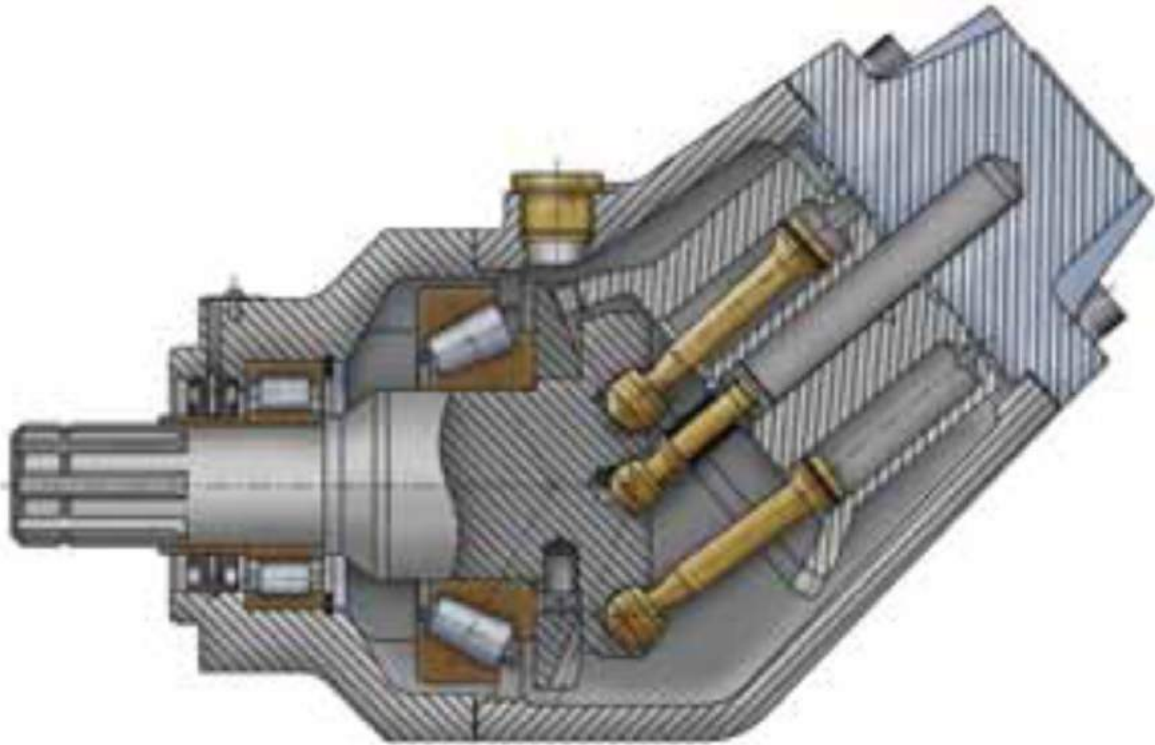
NOTE:

- Before start-up, tighten the inspection port plug to 70–100 Nm.
- To change the direction of rotation, **the end cap must be replaced.**

NOTE: The pump **does not** include a suction fitting; it must be ordered separately. See chapter 9.

Twin Flow Bent Axis Piston Pumps

(fixed displacement)



Benefits/Features

- **Two separate outlet flows with a single inlet**
- **Operating pressures to 6000 PSI (413.7 BAR) intermittent**
- **Higher overall efficiency**
- **Increased reliability**
- **Low noise level**
- **Compact package that only weighs 42 lbs (19.1 kg).**

Twin Flow Bent Axis Piston Pumps

(fixed displacement)



Fixed Displacement Piston Pumps are widely used on truck applications with operating pressure up to 5000 PSI (350 BAR). These twin flow pumps provide two independent output flows with a single inlet in a compact package. These lightweight, efficient pumps were designed specifically for truck applications including cargo cranes, hook loaders, forest cranes and concrete mixer.

Pump Performance Data

Model Series	Max. Displacement in ³ /rev (cc/rev)	Outlet Pressure PSI (BAR)	Drive Speed RPM	Flow** @ 1800 RPM		Max. Input Power HP (KW)
				Port A GPM (LPM)	Port B GPM (LPM)	
42/42	2.62/2.50 (43/41)	5000 (350)	1800	204 (77.2)	19.5 (73.8)	118 (88.0)
55/28	3.36/1.71 (55/28)	5000 (350)	1800	261 (98.6)	13.3 (50.3)	118 (88.0)
53/53	3.30/3.17 (54/52)	5000 (350)	1800	255 (96.5)	24.8 (93.9)	147 (109.8)
70/35	4.21/2.20 (69/36)	5000 (350)	1800	327 (123.8)	17.2 (65.1)	147 (109.8)
70/70	4.15/4.15 (68/68)	4350 (300)	1650	323 (122.3)	32.3 (122.3)	150 (111.9)

Markets

Applications

Forestry	Knuckle Boom Loader, Cranes, Mowers / Cutters
Construction	Off-Highway Trucks, Fan Drives
Mining	Dump Trucks
Material Handling	Truck Mounted Cranes, Lift Trucks
Recycling	Vaccum Truck Systems, Refuse Trucks - ASL, Rear Loaders
Military	

Twin Flow Bent Axis Piston Pumps (fixed displacement)

Piston Pumps Model Ordering Code

Frame Size
42/42
55/28
53/53
70/35
70/70

Code	Rotation
L	Left Hand (CCW)
R	Right Hand (CW)

NOTES:

1. Pressure port on 25, 41, 51 and 61 sizes is 3/4". Pressure port on 81 and 101 sizes is 1".
2. Suction fitting must be ordered separately.
3. Use seven digit number when placing order.

Ordering Code	Ordering No.
42/42-R	9378 4042
42/42-L	9378 4043
55/28-R	9378 4128
55/28-L	9378 4129
53/53-R	9378 1453
53/53-L	9378 1454
70/35-R	9378 1470
70/35-L	9378 1471
70/70-R	9378 4070
70/70-L	9378 4071

Suction Fittings

A suction fitting consists of a straight, 45°, 90° or 135° suction fitting, 2 clamps, 2 cap screws and an O-ring.

Straight Suction Fittings

Ordering no.	A in. (mm)	B in. (mm)	C dia. in. (mm)
	0 (0)	3.35" (85)	1.5" (38)
	0.67" (17)	5.35" (136)	2.0" (50)
	0.98" (25)	5.71" (145)	2.5" (63)
	0.67" (17)	5.35" (136)	1.77" (45)
	0.67" (17)	5.35" (136)	1.77" (48)

45° Suction Fittings

Ordering no.	A in. (mm)	B in. (mm)	C dia. in. (mm)
	2.36" (60)	4.09" (104)	1.25" (32)
	2.36" (60)	4.09" (104)	1.5" (38)
	2.64" (67)	4.33" (110)	2" (50)
	2.95" (75)	4.61" (117)	2.5" (63)
	2.64" (67)	4.33" (110)	1.57" (40)
	2.64" (67)	4.33" (110)	1.77" (45)
	2.64" (67)	4.33" (110)	1.89" (48)

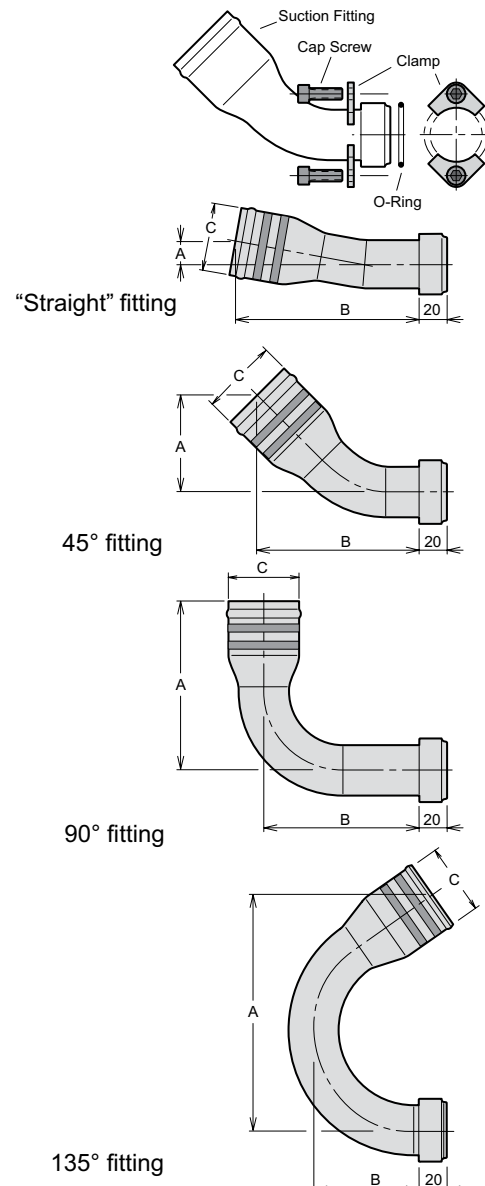
- 1) Suitable for frame size F1-25.
- 2) Suitable for pump sizes F1-41,-51,-61,-81 and -110.

90° Suction Fittings

Ordering no.	A in. (mm)	B in. (mm)	C dia. in. (mm)
	4.96" (126)	3.27" (83)	1.5" (38)
	5.31" (135)	3.27" (83)	2" (50)
	5.31" (135)	3.27" (83)	1.77"(45)
	5.31" (135)	3.27" (83)	1.89" (48)
	5.79" (147)	4.06" (103)	2.5" (63)

135° Suction Fitting

Ordering no.	A in. (mm)	B in. (mm)	C dia. in. (mm)
	6.54" (166)	2.87" (73)	2" (50)



Complete Product Range

Piston Pumps

Piston Motors

DIN

DIN 5462 / ISO 14
8x32x35
8x32x36
DIN 6885



A8PD



A9MD

ISO

ISO 3019-2 (4 BOLTS)
DIN 5480 -W25,30,35,40,45
DIN 6885 -Ø20,25,30,35,40,45



A8PO



A9MO

SAE

SAE B2 C4 - SAE D
SAE J498b
SAE J 744



A8PS



A9MS

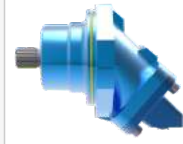
M2

Fixed Plug-in

DIN 5480 / ISO 3019-2
W30 - W35 - W40
M21 - M22 - M23



A8PL - Dual Flow



A9MF - Semi integrated

A4

DIN ISO 14
8x32x36



A4PP Single Flow



A4PL Dual Flow

A6

P2 Connection M8x125
Woodruff key 3x6,5 NF E
27-653 NF R 124-04
(2 BOLTS)



A6HP - High Pressure



**A7GP - Gear Pump
A7GM - Gear Motor**

Contact



Gold Hydraulics, Ltd.

2019® Catalogue

All pictures and banners are patented by owner.

www.goldhydraulics.com

For more details and other catalogs,
please send email to our team.

Hydraulic Bent Axis Piston Pumps
Bent Axis Motors
Dual Flow Piston Pumps and Gear Pumps...

Sales Team

info@goldhydraulics.com

Order

order@goldhydraulics.com

Management

mail@goldhydraulics.com



www.goldhydraulics.com