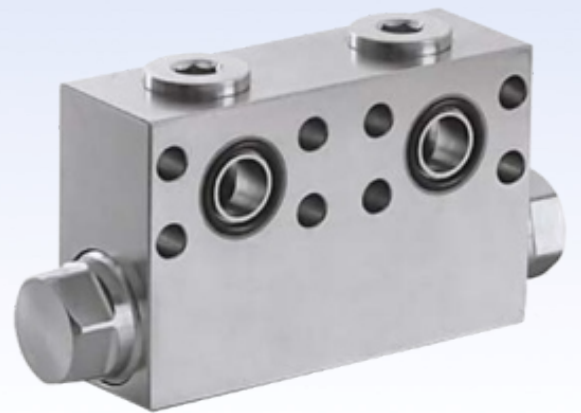


# Anti-Cavitation Valf Hidrolik Motor Anti-Cavitation Valve for Bent Axis Motors

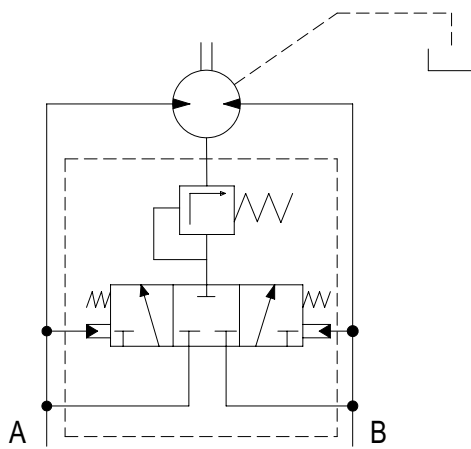
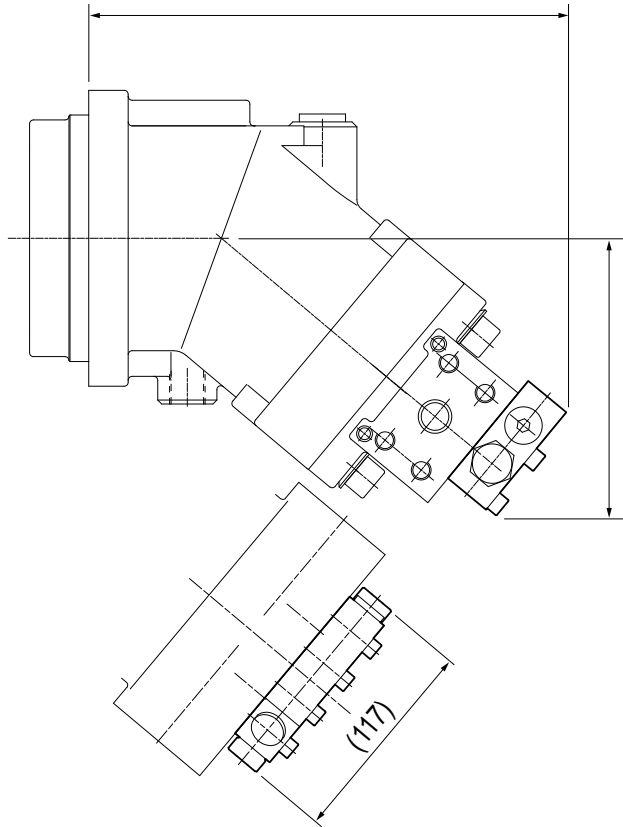
Anti-Cavitation Valve for Hydraulic Bent Axis Piston Motors

**Designation;**  
Anti-Cavitation

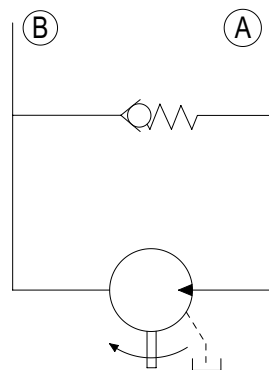


[www.hydrogold.com.tr](http://www.hydrogold.com.tr)

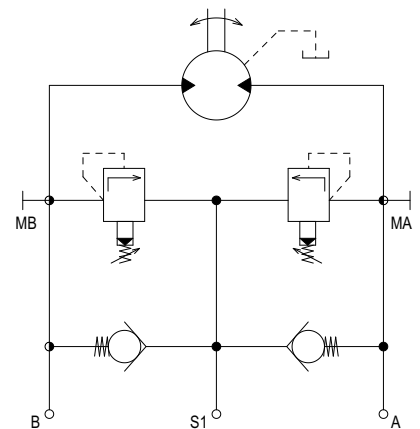
## Anti-Cavitation Valve for Bent Axis Motors



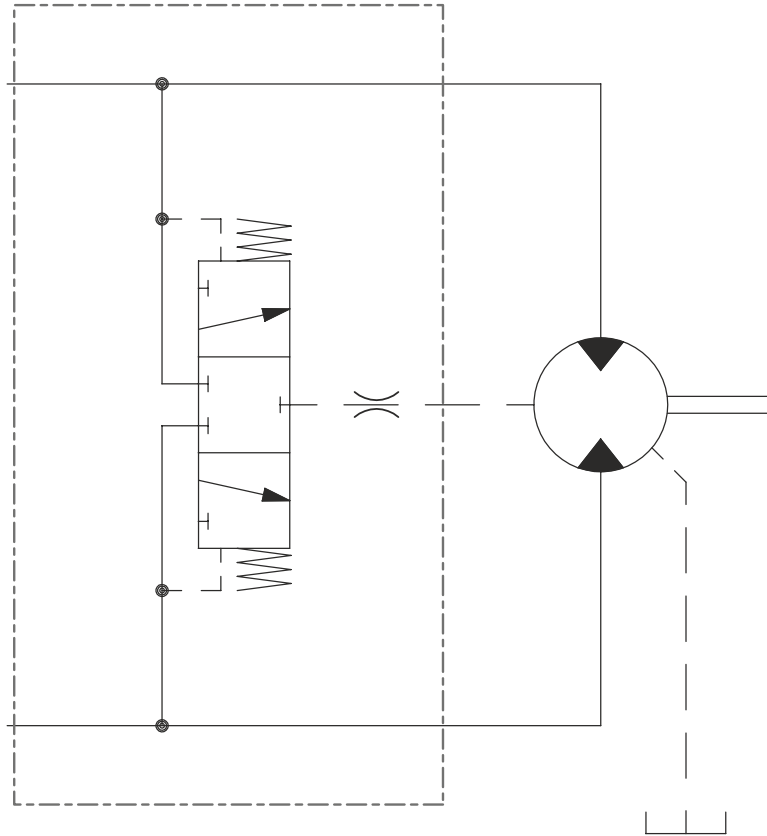
Anti-cavitation valve



Double pressure relief valve



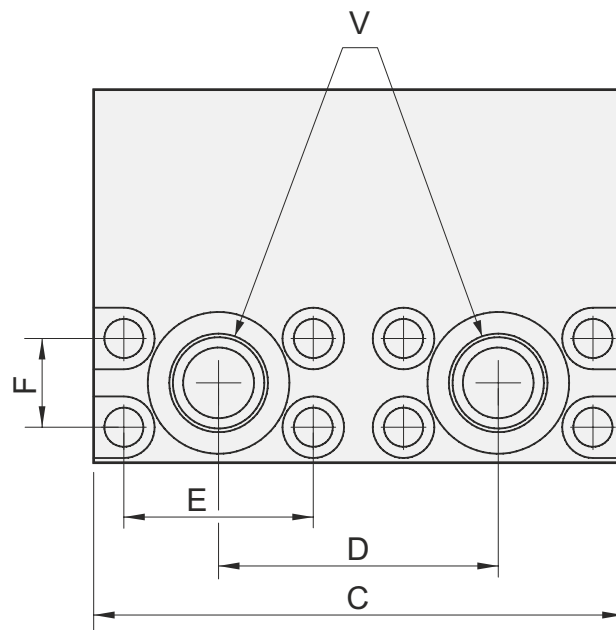
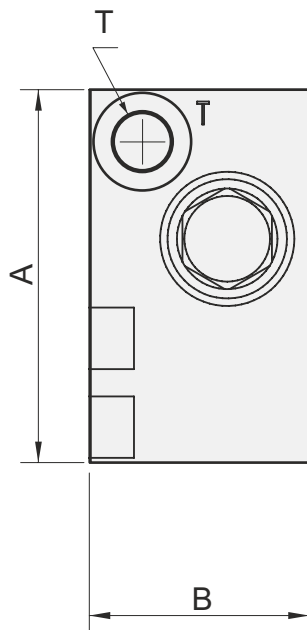
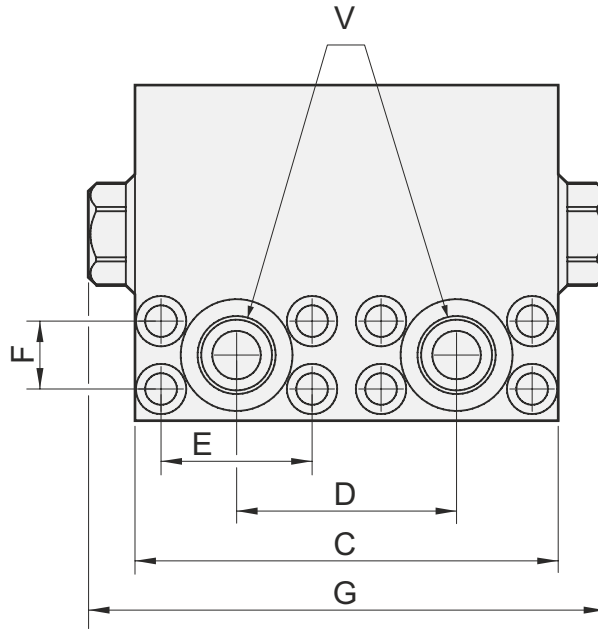
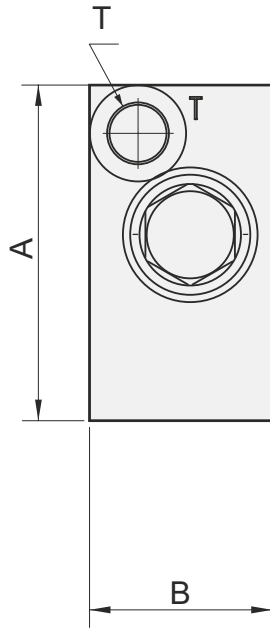
## Anti-Cavitation Valve for Bent Axis Motors



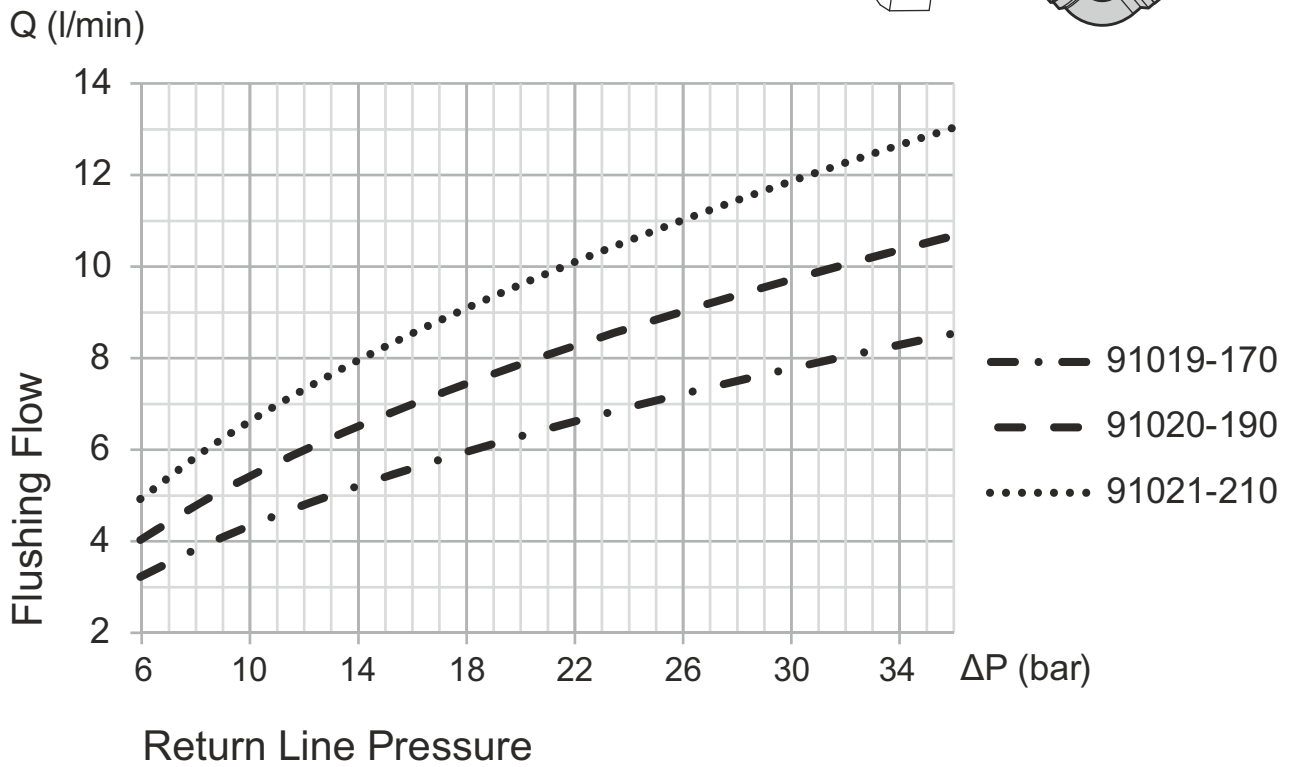
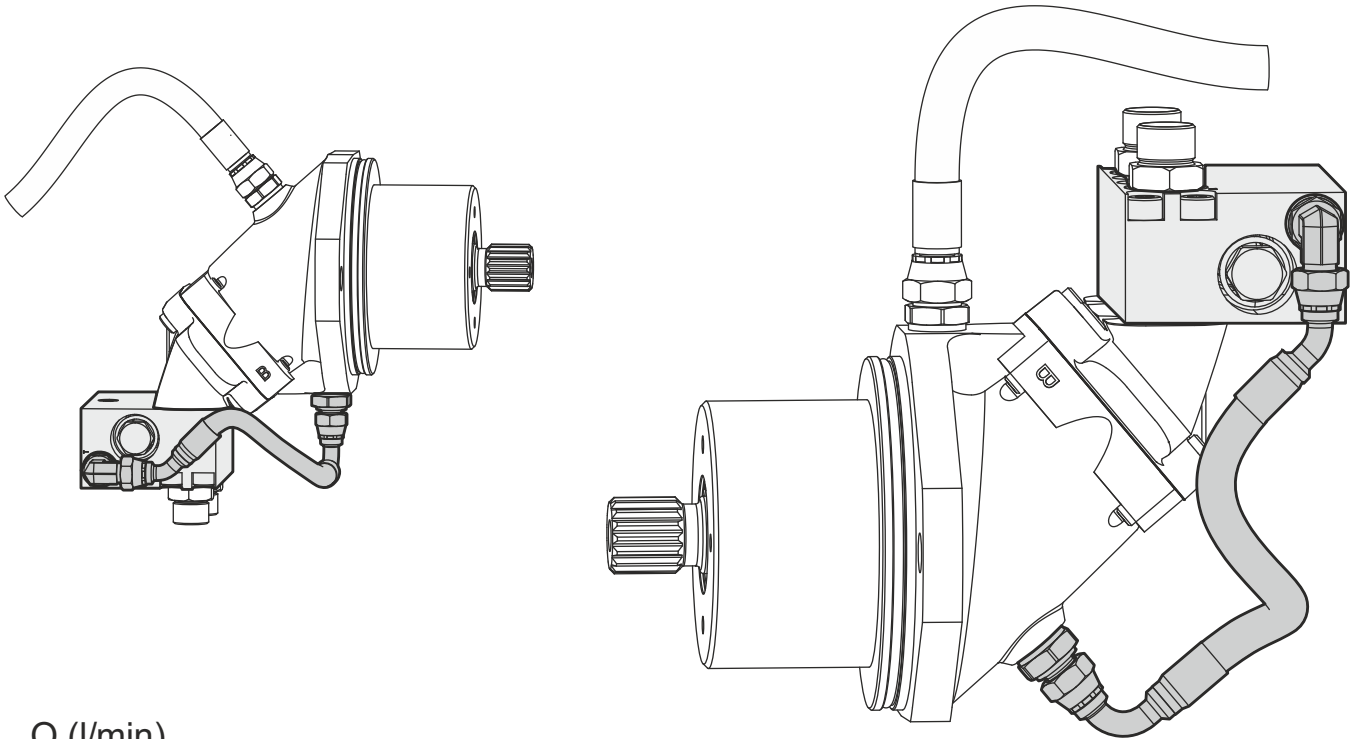
### Dimension

Type	A	B	C	D	E	F	G	T	V
012-032	90	49	113.5	59	40.5	18.2	138.4	G 3/8"	G 1/2"
040-063	100	59	142	75	50.8	23.8	—		G 3/4"
080-130	108	59	160	84	57.2	27.8	—		G 1"

## Anti-Cavitation Valve for Bent Axis Motors



## Anti-Cavitation Valve for Bent Axis Motors



## Complete Product Range

### Bent Axis Piston Motors

A9MD (DIN) Bent Axis Motors  
A9MO (ISO) Bent Axis Motors  
A9MS (SAE) Bent Axis Motors  
A9ML (SAE2) Bent Axis Motors  
A9MF (Fixed Plugin) Bent Axis Motors  
A10M (HYBRID) Bent Axis Motors  
A7GM Hydraulic Gear Motors  
A7GMT Tandem Hydraulic Gear Motors

### Bent Axis Piston Pumps

A8P (Aluminum) Bent Axis Pumps  
A8PD (DIN) Bent Axis Pumps  
A8PO (ISO) Bent Axis Pumps  
A8PS (SAE) Bent Axis Pumps  
A8PF (Fixed Plugin) Bent Axis Pumps  
A10 (HYBRID) Bent Axis Pumps  
A11 (ISO2) Bent Axis Pumps  
A11 (SAE2) Bent Axis Pumps

### Variable Displacement Pumps

A12V Variable Displacement Piston Pumps

### Dual Flow Piston Pumps

A8PL (DIN) Dual Flow Pumps

### Axial Piston & Gear Pumps

A4PP Axial Hydraulic Piston Pumps  
A6HP High Pressure Piston Pumps  
A7GP Hydraulic Gear Pumps  
A7GPT Tandem Hydraulic Gear Pumps

### Valve (ByPass) (Flushing) (Cavitation)

Circulation Valve  
ByPass Valve  
Anti-Cavitation Valve  
Flushing Valve  
LS Valve  
AntiShock Valve  
Speed Sensor

### Hydraulic Spare Parts

Suction Fittings  
Couplars  
Adapters  
Flanges  
Power Take Off  
Monoblock Valve  
Section Valve

## Hydraulic Pumps, Motors

Bent Axis Hydraulic Piston Motors, Bent Axis Hydraulic Piston Pumps, Piston Pumps, Variable Displacement Piston Pumps, Variable Displacement Piston Motors, Axial Piston Pumps, High Pressure Piston Pumps, Gear Pumps, Gear Motors, Hydraulic Valve.

[www.hydrogold.com.tr](http://www.hydrogold.com.tr)

### Address;

**HYDROGOLD HİDROLİK PNM. MAK. SAN. TİC. LTD. ŞTİ.**

**Address; (Fabrika, İmalat)**

Fevzicakmak Mah. Sıla Cad. Kobisan 3 San. Sit.

No: 73 / C Karatay – Konya, PO Code; 42050, Türkiye

**Address; (Montaj, Sevkiyat)**

Fevzicakmak Mah. Sıla Cad. Kobisan 3 San. Sit.

No: 71 / AD Karatay – Konya, PO Code; 42050, Türkiye

**Phone; +90 332 248 92 01**

[info@hydrogold.com.tr](mailto:info@hydrogold.com.tr)