

A8PS (SAE) Bent Axis Pumps

High Pressure Hydraulic Bent Axis Piston Pumps, High Pressure, 450/500 BAR Working Pressure. High Rotational Speed, High Efficiency, Slim Design, Cast Iron Pump Body, Re-Designed in 2022.

Designation;

5cc, 10cc, 12cc, 18cc, 25cc, 32cc, 41cc, 50cc,
56cc, 63cc, 80cc, 108cc, 130cc, 160cc, 180cc



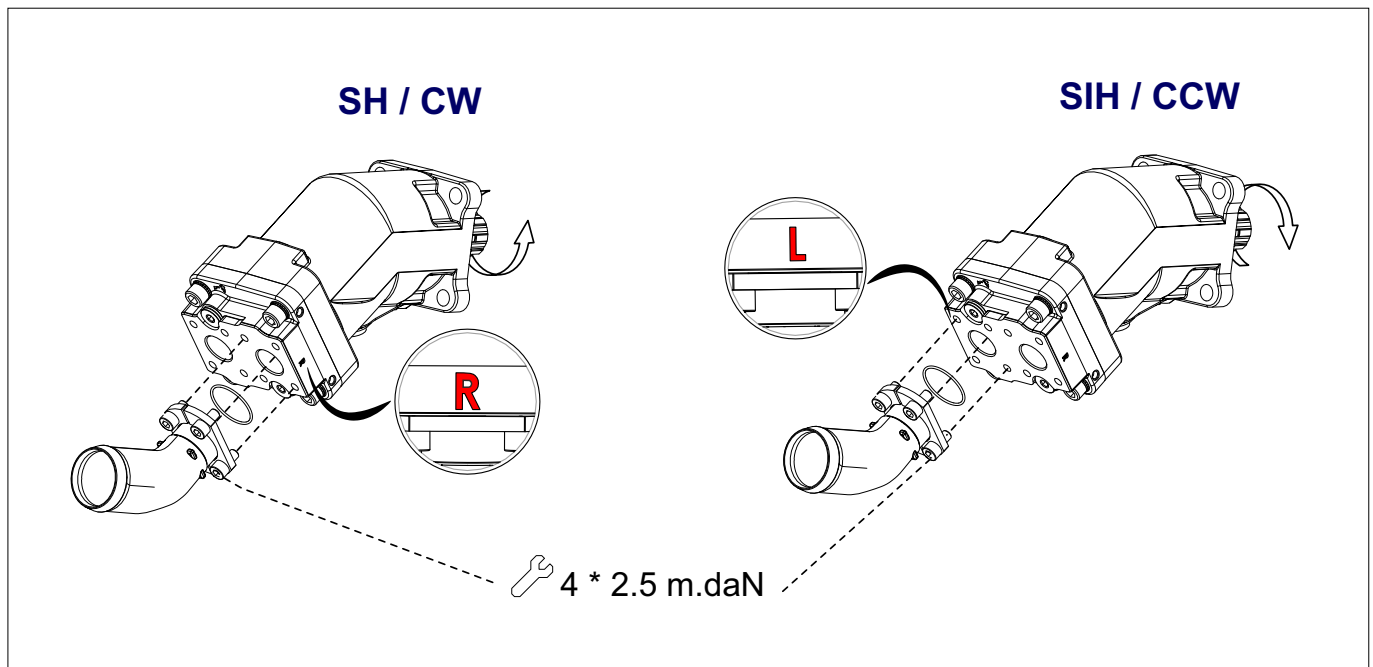
www.hydrogold.com.tr

Characteristics of the A8PS - SAE Flange Bent Axis Pumps

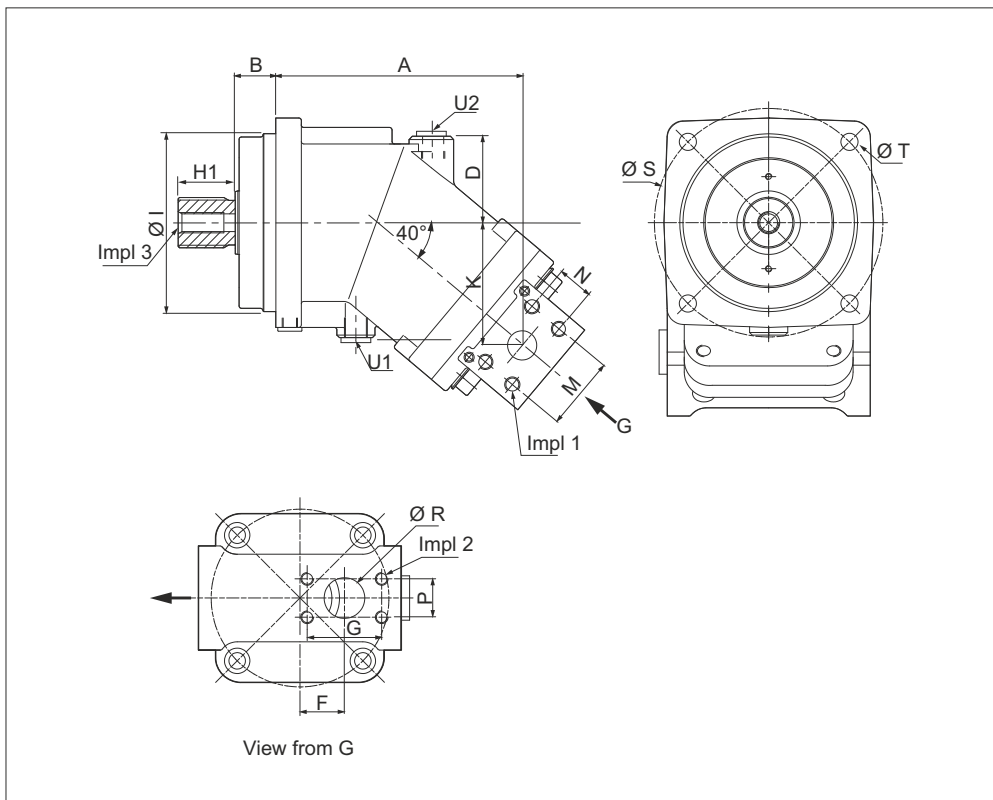
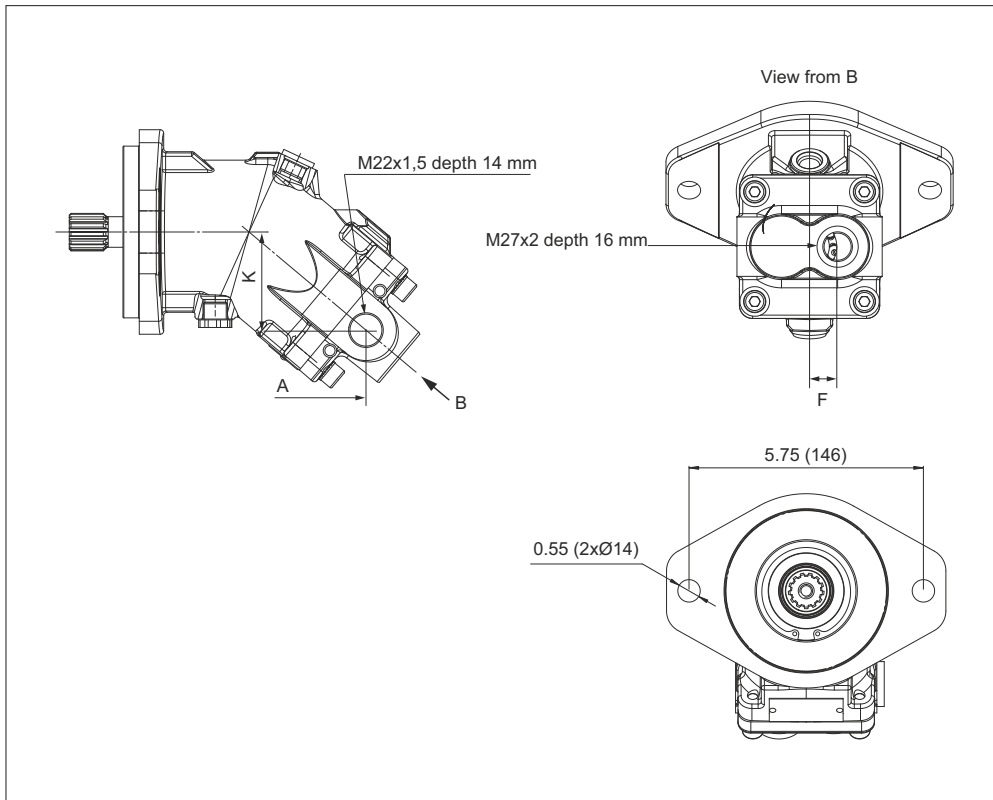
Pump MODEL	DISPL. (cc)	MAX. PEAK/ CONTINUOUS PRESSURE (bar)	MAXIMUM SPEED (rpm)	MAX.TORQUE ABSORBED AT 380 BAR (N.m)	WEIGHT WITHOUT INLET FITTING (kg)	WEIGHT WITH 2" INLET FITTING (kg)	TORQUE WITHOUT FITTING (N.m)	TORQUE WITH FITTING (N.m)
5 cc	5.1	450 / 400	3300	60	9.00	9.40	8.20	8.60
10 cc	10.2	450 / 400	3200	68	9.00	9.40	8.65	9.05
12 cc	12.0	450 / 400	3150	76	9.20	9.60	8.74	9.14
18 cc	18.0	450 / 400	2900	114	9.30	9.70	8.79	9.19
25 cc	25.0	450 / 400	2750	159	11.00	11.40	8.89	9.29
32 cc	32.0	450 / 400	2700	204	11.10	11.50	11.10	11.50
41 cc	41.0	450 / 400	2550	261	11.20	11.60	11.15	11.55
50 cc	50,3	450 / 400	2450	318	17.80	18.20	18.10	18.50
56 cc	56,0	450 / 400	2400	375	17.80	18.20	18.10	18.50
63 cc	63.0	450 / 400	2300	401	17.80	18.20	18.10	18.50
80 cc	80,4	450 / 400	2150	509	24.80	25.20	27.80	28.30
108 cc	108	450 / 400	1900	687	34.90	35.30	37.92	38.42
125 cc	125	450 / 400	1750	827	35.30	35.70	38.70	39.50
160 cc	160	450 / 400	1900	891	44.90	45.30	47.92	48.42
180 cc	180	450 / 400	1750	1006	45.30	45.70	48.70	49.50

Direction of Rotation; **CW** and **CCW**

The Pumps rotate clockwise or counter-clockwise depending on the direction of hydraulic flow entering the Pump.



Characteristics of the A8PS - SAE Flange Bent Axis Pumps



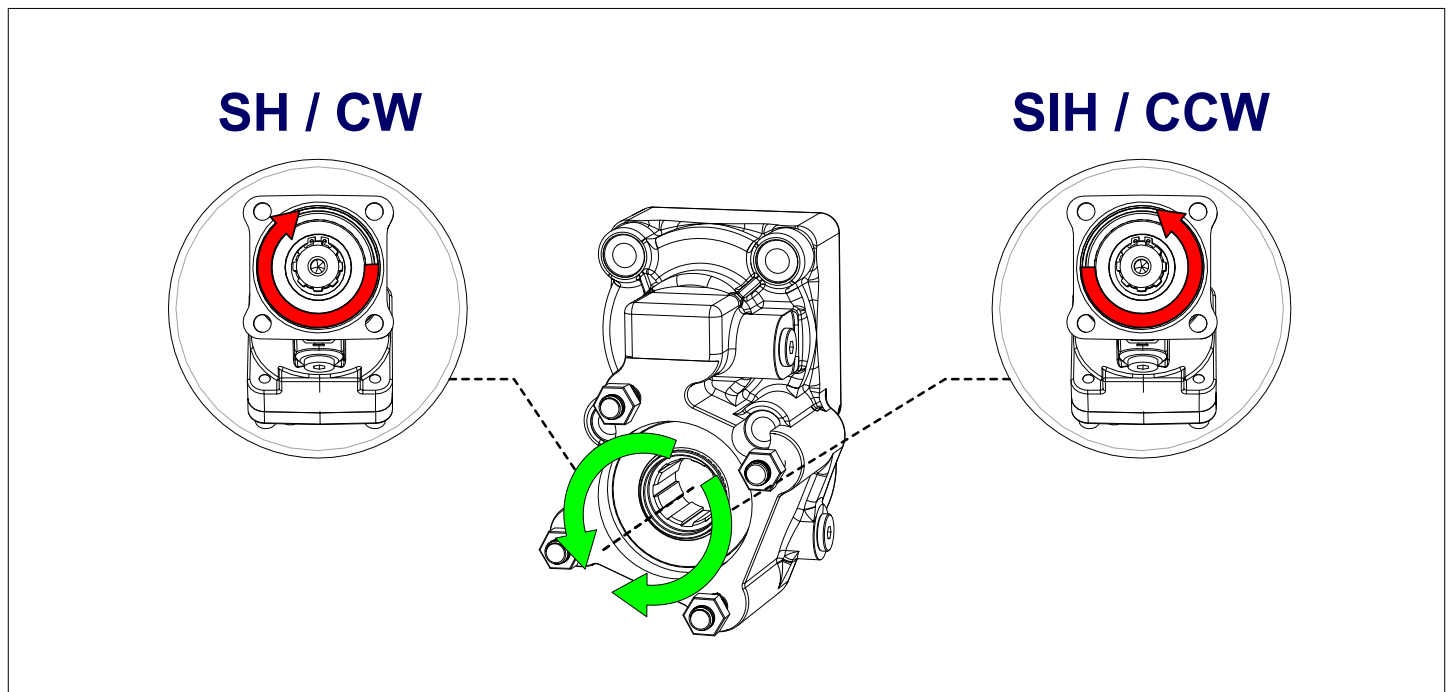
Characteristics of the A8PS - SAE Flange Bent Axis Pumps

Pump MODEL	A	B	D	F	G	I	K	M	N	P	R	S	T
5 cc	134.1	7.9	41.9	17	-	101.6	58	-	-	-	-	SAE-B2	14
10 cc	134.1	7.9	41.9	17	-	101.6	58	-	-	-	-	SAE-B2	14
12 cc	134.1	7.9	41.9	17	-	101.6	58	-	-	-	-	SAE-B2	14
18 cc	134.1	7.9	41.9	17	-	101.6	58	-	-	-	-	SAE-B2	14
25 cc	157.8	7.9	56	22	47.6	127.0	66	40.5	18.2	22.2	19	162	14.3
32 cc	164.0	7.9	56	22	47.6	127.0	71	40.5	18.2	22.2	19	162	14.3
41 cc	164.0	7.9	56	22	47.6	127.0	71	40.5	18.2	22.2	19	162	14.3
50 cc	189.2	7.9	59	30	52.5	127.0	85	50.8	23.8	26.2	25	162	14.3
56 cc	189.2	7.9	59	30	52.5	127.0	85	50.8	23.8	26.2	25	162	14.3
63 cc	189.2	7.9	59	30	52.5	127.0	85	50.8	23.8	26.2	25	162	14.3
80 cc	215.2	7.9	68	35	58.7	152.4	97	57.2	27.8	30.2	32	228.6	21.0
108 cc	235.0	7.9	60	35	69.9	152.4	100.8	66.7	31.8	35.7	38	228.6	21.0
125 cc	235.0	7.9	60	35	69.9	152.4	100.8	66.7	31.8	35.7	38	228.6	21.0
160 cc	267.7	7.9	68	49.5	77.8	152.4	105.7	66.7	31.8	42.9	51	228.6	21.0
180 cc	267.7	7.9	68	49.5	77.8	152.4	105.7	66.7	31.8	42.9	51	228.6	21.0

Pump MODEL	Splined Shaft	H1	Outlet 6000 PSI	Inlet 3000 PSI	Impl 1	Impl 2	Impl 3	U1 / U2
5 cc	13T 16/32 SAE B	33.3	M22x1.5	M27x2	-	-	5/16"-18 UNC	9/19"-18 UNF
10 cc	13T 16/32 SAE B	33.3	M22x1.5	M27x2	-	-	5/16"-18 UNC	9/19"-18 UNF
12 cc	13T 16/32 SAE B	33.3	M22x1.5	M27x2	-	-	5/16"-18 UNC	9/19"-18 UNF
18 cc	13T 16/32 SAE B	33.3	M22x1.5	M27x2	-	-	5/16"-18 UNC	9/19"-18 UNF
25 cc	13T 16/32 SAE B	33.3	SAE 1/2"	SAE 3/4"	M8x1.25 dp 15	M10x1.5 prf 17	7/16"-14 UNC	3/4"-16 UNF
32 cc	13T 16/32 SAE B	33.3	SAE 1/2"	SAE 3/4"	M8x1.25 dp 15	M10x1.5 prf 17	7/16"-14 UNC	3/4"-16 UNF
41 cc	13T 16/32 SAE B	33.3	SAE 1/2"	SAE 3/4"	M8x1.25 dp 15	M10x1.5 prf 17	7/16"-14 UNC	3/4"-16 UNF
50 cc	13T 12/24 SAE C	48.0	SAE 3/4"	SAE 1"	M10x1.5 dp 17	M10x1.5 prf 17	7/16"-14 UNC	3/4"-16 UNF
56 cc	13T 12/24 SAE C	48.0	SAE 3/4"	SAE 1"	M10x1.5 dp 17	M10x1.5 prf 17	7/16"-14 UNC	3/4"-16 UNF
63 cc	13T 12/24 SAE C	48.0	SAE 3/4"	SAE 1"	M10x1.5 dp 17	M10x1.5 prf 17	7/16"-14 UNC	3/4"-16 UNF
80 cc	13T 12/24 SAE C	48.0	SAE 1"	SAE 1" 1/4	M12x1.75 dp 20	M10x1.5 prf 17	7/16"-14 UNC	3/4"-16 UNF
108 cc	13T- 8/16 SAE D	67.0	SAE 1" 1/4	SAE 2"	1/2" - 13 UNC	1/2" - 13 UNC	5/8" - 11 UNC	7/8" - 14 UNF
125 cc	13T- 8/16 SAE D	67.0	SAE 1" 1/4	SAE 2"	1/2" - 13 UNC	1/2" - 13 UNC	5/8" - 11 UNC	7/8" - 14 UNF
160 cc	13T- 8/16 SAE D	67.0	SAE 1" 1/4	SAE 2"	1/2" - 13 UNC	1/2" - 13 UNC	5/8" - 11 UNC	7/8" - 14 UNF
180 cc	13T- 8/16 SAE D	67.0	SAE 1" 1/4	SAE 2"	1/2" - 13 UNC	1/2" - 13 UNC	5/8" - 11 UNC	7/8" - 14 UNF

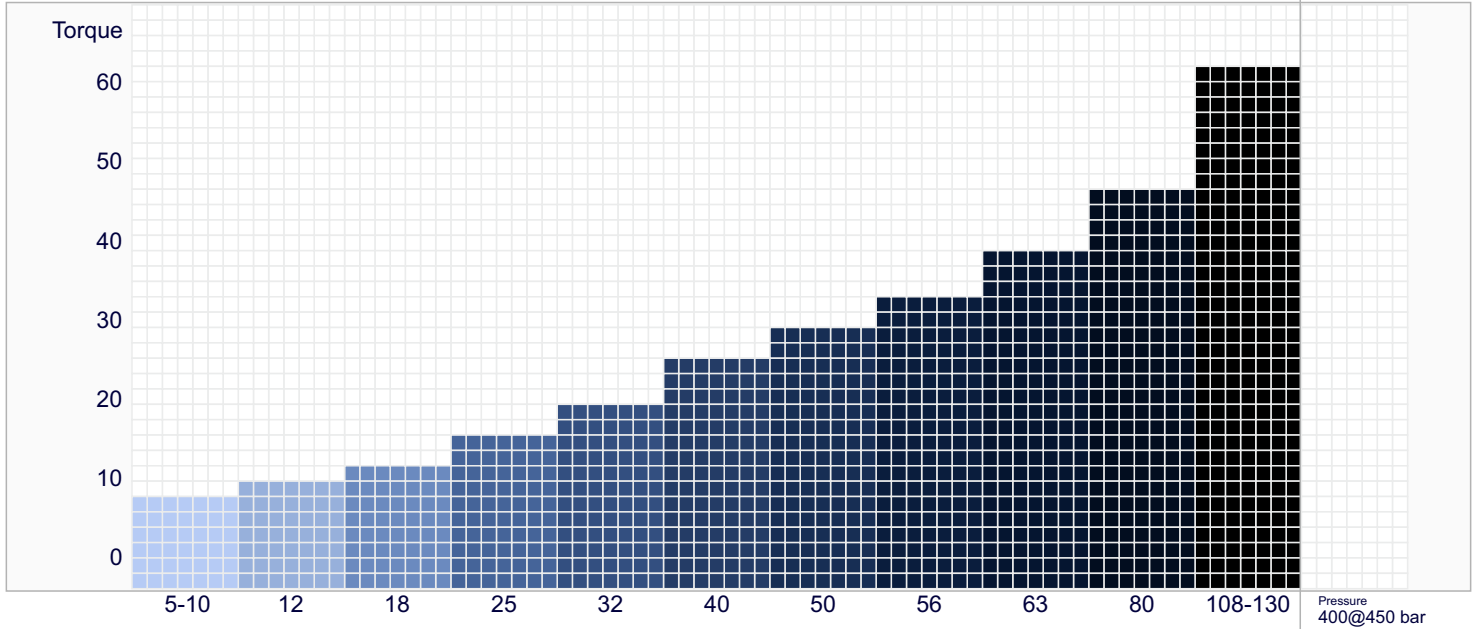
Ordering Code; A8PS - SAE Flange Bent Axis Pumps

Model Code	Displacement		Shaft Type	Flange Type	Rotation	Sealing
A8PS	25		S	B6	R	V
A8PS Bent Axis Hydraulic Pump SAE Flange	5	56	S Splined Shaft	B2 2 Bolt SAE Flange Shaft	R CW Right Direction of Rotation	V Viton High Pressure Seal
	10	63				
	12	80	K Keyed Shaft	B4 4 Bolt SAE Flange Shaft	L CCW Left Direction of Rotation	N Nitrile Seal 5/10 Bar
	18	108				
	25	125				
	32	160	B6 6 Bolt SAE Flange Shaft			
	41	180				
	50					

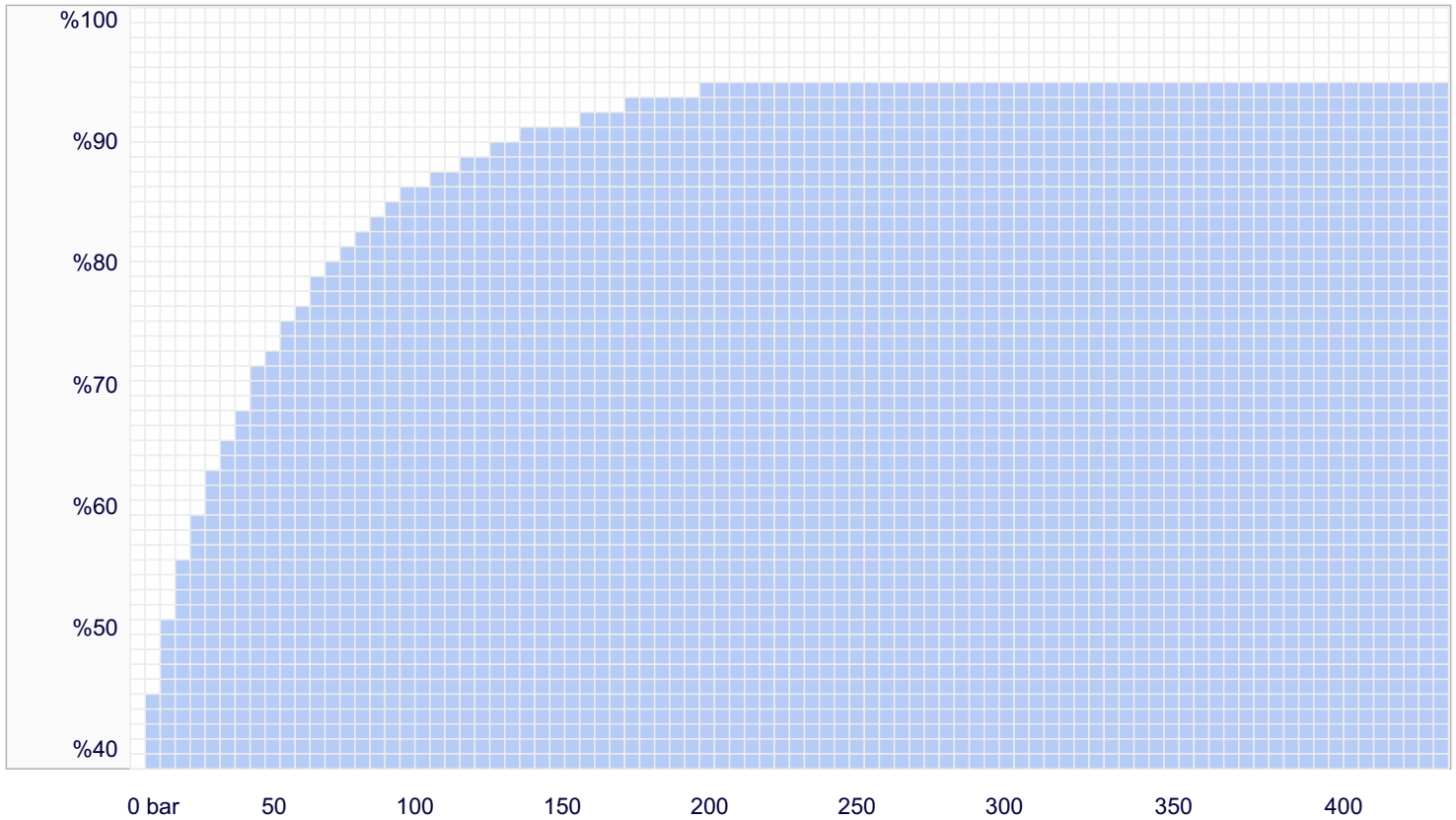


Performance, Torque, Speed and Pressure Charts

Compare Table of Torque

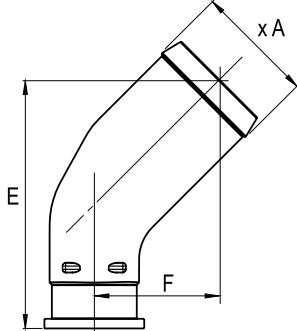


Efficiency of Bent Axis Pumps (1000 rpm)



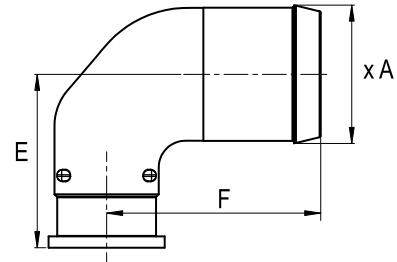
Suction Fittings for A8PS (SAE) Bent Axis Pumps

45° elbow fittings kit

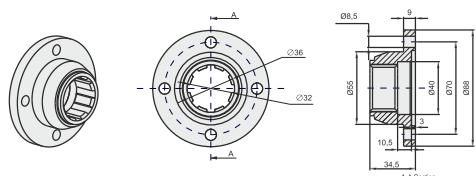
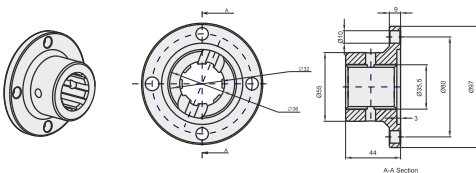
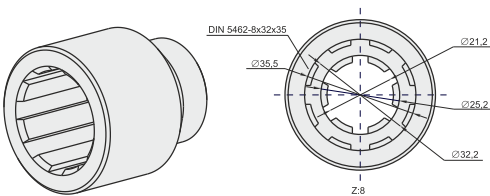
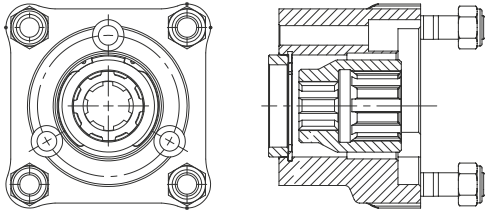


Reference	Ø hose	Ø A	E	F
450039	1 1/2"	39.1	91.7	46.7
450043	42	43	91.7	46.7
450046	1 3/4"	46	91.7	46.7
450051	2"	51.8	108.4	54.4
450064	2 1/2"	64.5	125.2	62.2

90° elbow fittings kit

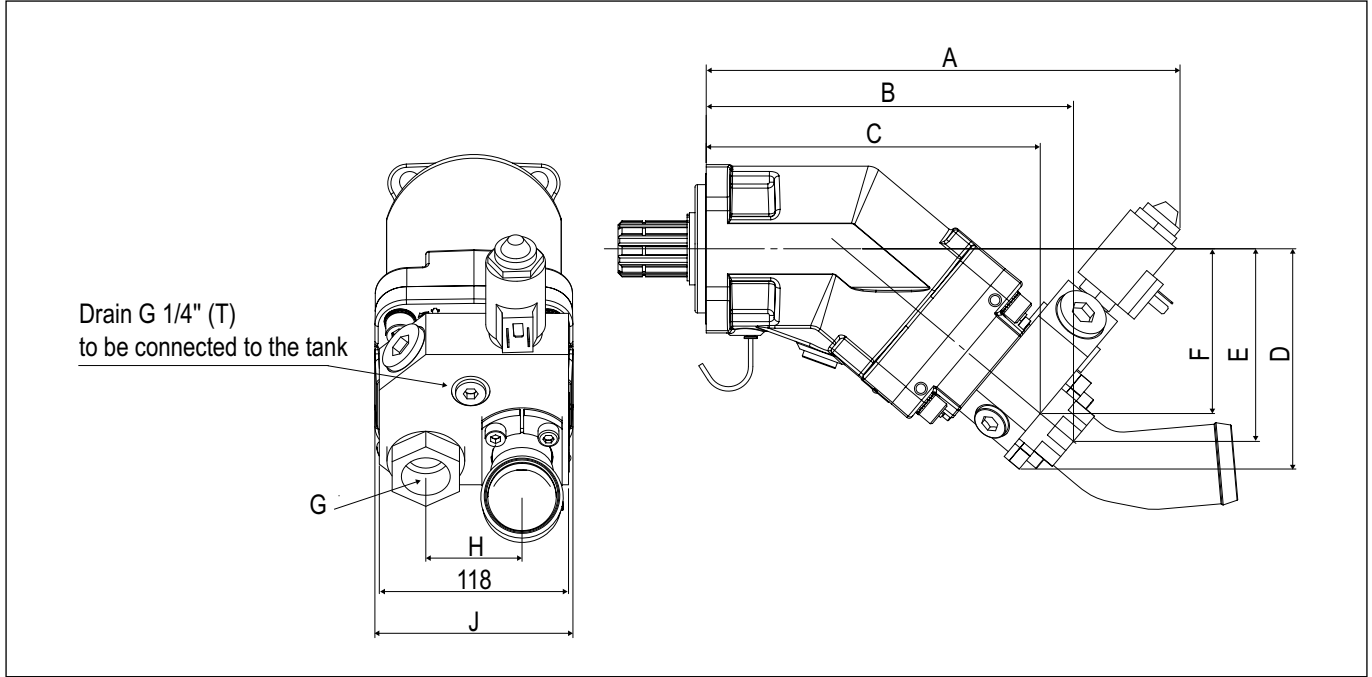


Reference	Ø hose	Ø A	E	F
900039	1 1/2"	39.1	58.6	79.5
900051	2"	51.8	64.9	80.2
900064	2 1/2"	64.5	71.3	87.5



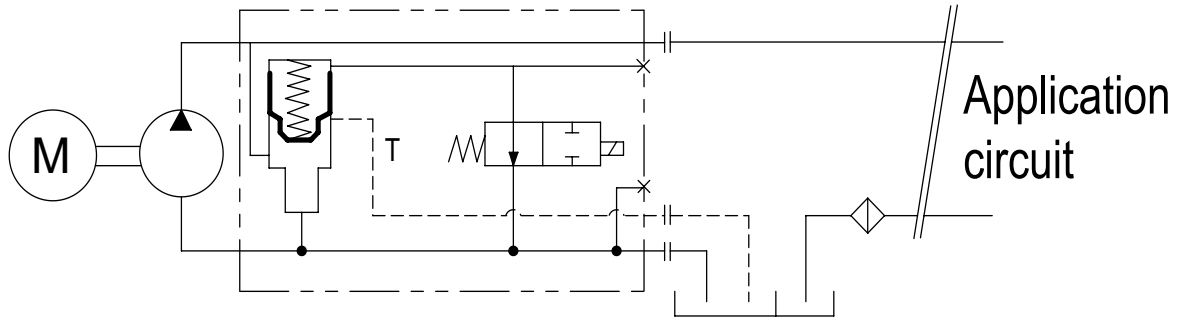
	Inlet Fittings & Installation Parts - Split Flange - Seal - Screw
	By-Pass Valves - 12 V - 24 V
	Hydraulic Adapters - PTO Piston Pump Adapter - PTO Gear Pump Adapter - Long / Short Adapter
	Flanges - 1120 (6 Spline) - 1120 (8 Spline) - 1300 (6 Spline) - 1300 (8 Spline)
	Couplars - 6 x 8 Couplars - 6 x 8 Couplars (Long) - 8 x 8 Couplars - 8 x 8 Couplars (Long)

ByPass Valve for A8PS (SAE) Bent Axis Pumps



Pump MODEL	DISPL. (cc)	A	B	C	D	E	F	G	H	J
5 cc	5.1	289.35	223.04	202.19	132.20	114.72	97.58	G 3/4"	54	108
10 cc	10.2	289.35	223.04	202.19	132.20	114.72	97.58	G 3/4"	54	108
12 cc	12.0	289.35	223.04	202.19	132.20	114.72	97.58	G 3/4"	54	108
18 cc	18.0	289.35	223.04	202.19	132.20	114.72	97.58	G 3/4"	54	108
25 cc	25.0	289.35	223.04	202.19	132.20	114.72	97.58	G 3/4"	54	108
32 cc	32.0	295.50	229.00	208.30	137.30	120.10	102.70	G 3/4"	54	108
41 cc	41.0	295.50	229.00	208.30	137.30	120.10	102.70	G 3/4"	54	108
50 cc	50,3	307.10	240.40	220.00	147.10	129.70	112.50	G 3/4"	54	108
56 cc	56,0	307.10	240.40	220.00	147.10	129.70	112.50	G 3/4"	54	108
63 cc	63.0	307.10	240.40	220.00	147.10	129.70	112.50	G 3/4"	54	108
80 cc	80,4	334.00	269.00	246.70	157.80	143.90	124.80	G 1"	60	123
108 cc	108	334.00	269.00	246.70	157.80	143.90	124.80	G 1"	60	123
130 cc	130	336.30	271.3	249.00	159.70	145.80	126.70	G 1"	60	123

ByPass Valve for A8PS (SAE) Bent Axis Pumps



Pump MODEL	DISPL. (cc)	WEIGHT WITHOUT INLET FITTING (kg)	WEIGHT WITH 2" INLET FITTING (kg)	TORQUE WITHOUT FITTING (N.m)	TORQUE WITH FITTING (N.m)
5 cc	5.1	9.00	9.40	8.20	8.60
10 cc	10.2	9.00	9.40	8.65	9.05
12 cc	12.0	9.20	9.60	8.74	9.14
18 cc	18.0	9.30	9.70	8.79	9.19
25 cc	25.0	11.00	11.40	8.89	9.29
32 cc	32.0	11.10	11.50	11.10	11.50
41 cc	41.0	11.20	11.60	11.15	11.55
50 cc	50,3	11.30	11.70	11.75	12.15
56 cc	56,0	11.35	11.75	11.80	12.20
63 cc	63.0	11.45	11.85	11.85	12.25
80 cc	80,4	14.80	15.20	17.80	18.30
108 cc	108	14.90	15.30	17.92	18.42
130 cc	130	15.30	15.70	18.70	19.50

40° bent axis design giving high power, small overall dimensions, optimum efficiency and economic design. Flange and shaft designed for direct mounting on truck gearbox PTO's. The fixed displacement bent axis pumps generates a hydraulic fluid flow. It is designed for use in trucks, commercial vehicles and all stationary hydraulic applications. The Pump a fixed pump with rotary group in bent-axis design open circuits. Flow is proportional to drive speed and displacement.

For axial piston units with bent-axis design, the Pistons are arranged diagonally with respect to the drive shaft. The pump covers the whole displacement range 5 to 130 cm³/rev. The pump has been developed with modern styling and design to satisfy market demand as to designed new generation plate and pistons with give high flow performance, high pressures with high efficiency and very small dimensions.

The pump is available both to SAE and SAE world standards and can be mounted either directly at the gear box or via a drive shaft. If necessary it can also be augmented with a by-pass valve. Other brand bent axis pumps compatible and interchangeable with SAE bent axis pumps. Refer to the data sheet and order confirmation for the technical data, operating conditions and operating limits of the bent axis piston pumps.

Formulas			
Pump Output Flow	GPM	$GPM = (\text{Speed (rpm)} \times \text{disp. (cu. in.)}) / 231$	$GPM = (n \times d) / 231$
Pump Input Horsepower	HP	$HP = GPM \times \text{Pressure (psi)} / 1714 \times \text{Efficiency}$	$HP = (Q \times P) / 1714 \times E$
Pump Efficiency	E	Overall Efficiency = Output HP / Input HP	$E_{\text{Overall}} = \text{HPOut} / \text{HPIn} \times 100$
		Overall Efficiency = Volumetric Eff. × Mechanical Eff.	$E_{\text{Overall}} = \text{EffVol.} \times \text{EffMech.}$
Pump Volumetric Efficiency	E	Volumetric Efficiency = Actual Flow Rate Output (GPM) / Theoretical Flow Rate Output (GPM) × 100	$\text{EffVol.} = \text{QAct.} / \text{QTheo.} \times 100$
Pump Mechanical Efficiency	E	Mechanical Efficiency = Theoretical Torque to Drive / Actual Torque to Drive × 100	$\text{EffMech} = \text{TTheo.} / \text{TAct.} \times 100$
Pump Displacement	CIPR	$\text{Dsplcmnt (In.}^3 \text{ / rev.)} = \text{Flow Rate (GPM)} \times 231 / \text{Pump RPM}$	$\text{CIPR} = \text{GPM} \times 231 / \text{RPM}$
Pump Torque	T	Torque = Horsepower × 63025 / RPM	$T = 63025 \times \text{HP} / \text{RPM}$
		Torque = Pressure (PSIG) × Pump Displacement (CIPR) / 2π	$T = P \times \text{CIPR} / 6.28$

- Horsepower for driving a pump** : For every 1 hp of drive, the equivalent of 1 gpm @ 1500 psi can be produced.
- Horsepower for idling a pump** : To idle a pump when it is unloaded will require about 5% of it's full rated power
- Wattage for heating hydraulic oil** : Each watt will raise the temperature of 1 gallon of oil by 1° F. per hour.
- Flow velocity in hydraulic lines** : Pump suction lines 2 to 4 feet per second, pressure lines up to 500 psi - 10 to 15 ft./sec., pressure lines 500 to 3000 psi - 15 to 20 ft./sec.; all oil lines in air-over-oil systems; 4 ft./sec.

Complete Product Range

Bent Axis Piston Motors

A9MD (DIN) Bent Axis Motors
A9MO (ISO) Bent Axis Motors
A9MS (SAE) Bent Axis Motors
A9ML (SAE2) Bent Axis Motors
A9MF (Fixed Plugin) Bent Axis Motors
A10M (HYBRID) Bent Axis Motors
A7GM Hydraulic Gear Motors
A7GMT Tandem Hydraulic Gear Motors

Bent Axis Piston Pumps

A8P (Aluminum) Bent Axis Pumps
A8PD (DIN) Bent Axis Pumps
A8PO (ISO) Bent Axis Pumps
A8PS (SAE) Bent Axis Pumps
A8PF (Fixed Plugin) Bent Axis Pumps
A10 (HYBRID) Bent Axis Pumps
A11 (ISO2) Bent Axis Pumps
A11 (SAE2) Bent Axis Pumps

Variable Displacement Pumps

A12V Variable Displacement Piston Pumps

Dual Flow Piston Pumps

A8PL (DIN) Dual Flow Pumps

Axial Piston & Gear Pumps

A4PP Axial Hydraulic Piston Pumps
A6HP High Pressure Piston Pumps
A7GP Hydraulic Gear Pumps
A7GPT Tandem Hydraulic Gear Pumps

Valve (ByPass) (Flushing) (Cavitation)

Circulation Valve
ByPass Valve
Anti-Cavitation Valve
Flushing Valve
LS Valve
AntiShock Valve
Speed Sensor

Hydraulic Spare Parts

Suction Fittings
Couplars
Adapters
Flanges
Power Take Off
Monoblock Valve
Section Valve

Hydraulic Pumps, Motors

Bent Axis Hydraulic Piston Motors, Bent Axis Hydraulic Piston Pumps, Piston Pumps, Variable Displacement Piston Pumps, Variable Displacement Piston Motors, Axial Piston Pumps, High Pressure Piston Pumps, Gear Pumps, Gear Motors, Hydraulic Valve.

www.hydrogold.com.tr

Address;

HYDROGOLD HİDROLİK PNM. MAK. SAN. TİC. LTD. ŞTİ.

Address; (Fabrika, İmalat)

Fevzicakmak Mah. Sıla Cad. Kobisan 3 San. Sit.

No: 73 / C Karatay – Konya, PO Code; 42050, Türkiye

Address; (Montaj, Sevkiyat)

Fevzicakmak Mah. Sıla Cad. Kobisan 3 San. Sit.

No: 71 / AD Karatay – Konya, PO Code; 42050, Türkiye

Phone; +90 332 248 92 01

info@hydrogold.com.tr