

A7GMT Tandem Hidrolik Dişli Motor

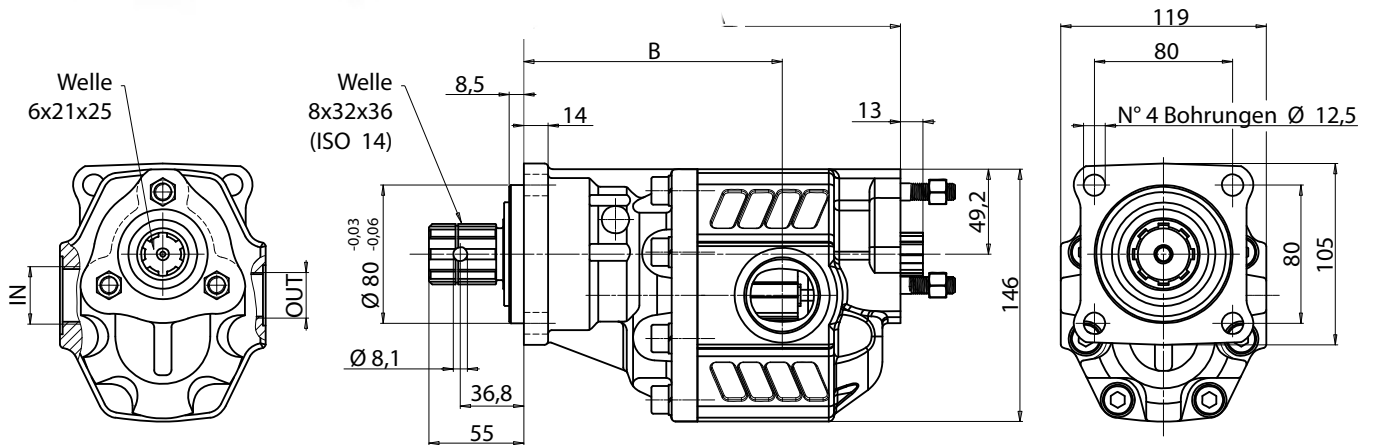
Tandem Hydraulic Gear Motors, Single Flow, High Pressure.
High Rotational Speed, High Efficiency, Slim Design.
Cast Iron Motor Body, Re-Designed in 2025.

Designation;

17cc, 22cc, 25cc, 40cc, 45cc, 50cc,
63cc, 75cc, 80cc, 100cc, 110cc, 120cc, 130cc



www.hydrogold.com.tr

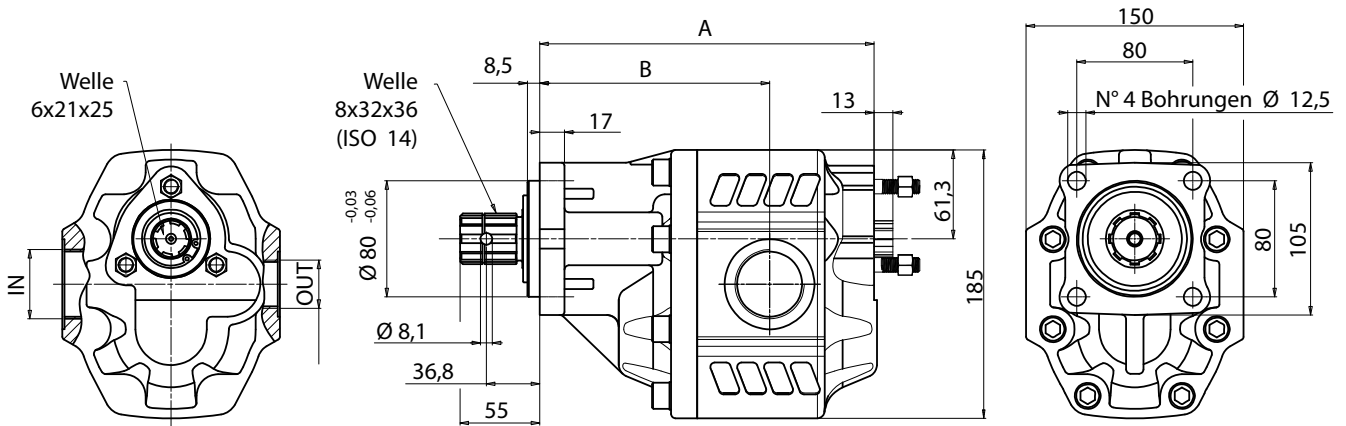


| Displacement | Ordering Code | | Technical Information | | | | | Dimensions | | | | | Weight in KG |
|--------------|------------------------------|------------------------------|-----------------------|-----------|-----------|---------------|-------------------------------|---------------|------------------|------------------|------------------|------------------|--------------|
| | Bi-Directional Motor Version | Bi-Directional Motor Version | P1 in bar | P2 in bar | P3 in bar | Maximum Speed | Maximum Intermitt. Peak Speed | min. Pressure | Suction Outlet 1 | Suction Outlet 2 | Pressure Conn. 1 | Pressure Conn. 2 | |
| 17,04 | A7GMT | 035-959-01050 | 290 | 315 | 325 | 2500 | 3000 | 300 | 1/2" | 1/2" | 180 | 119 | 10,6 |
| 22,15 | A7GMT | 035-959-01150 | 290 | 315 | 325 | 2500 | 3000 | 300 | 1/2" | 1/2" | 183,5 | 121,5 | 11 |
| 26,18 | A7GMT | 035-959-01250 | 290 | 315 | 325 | 2500 | 3000 | 300 | 1/2" | 1/2" | 186 | 124 | 11,5 |
| 33,88 | A7GMT | 035-959-01350 | 280 | 300 | 310 | 2200 | 2800 | 300 | 3/4" | 3/4" | 191 | 124 | 12,5 |
| 43,12 | A7GMT | 035-959-01450 | 270 | 290 | 300 | 2000 | 2500 | 300 | 3/4" | 3/4" | 197 | 130 | 13 |
| 50,82 | A7GMT | 035-959-01550 | 240 | 260 | 280 | 2000 | 2500 | 300 | 3/4" | 3/4" | 202 | 130,5 | 13,5 |
| 60,06 | A7GMT | 035-959-01650 | 220 | 240 | 250 | 1800 | 2000 | 300 | 1" | 1" | 208 | 136,5 | 14 |
| 72,88 | A7GMT | 035-959-01750 | 200 | 220 | 230 | 1600 | 1800 | 300 | 1" | 1" | 216 | 135,5 | 14,5 |
| 81,08 | A7GMT | 035-959-01850 | 190 | 210 | 220 | 1500 | 1800 | 300 | 1-1/4" | 1-1/4" | 221 | 142,5 | 14,9 |

P1 = max. Pressure (100%)

P2 = max. Intermittent pressure (max. 20 Sec.)

P3 = Peak Pressure (max. 6 Sec.)

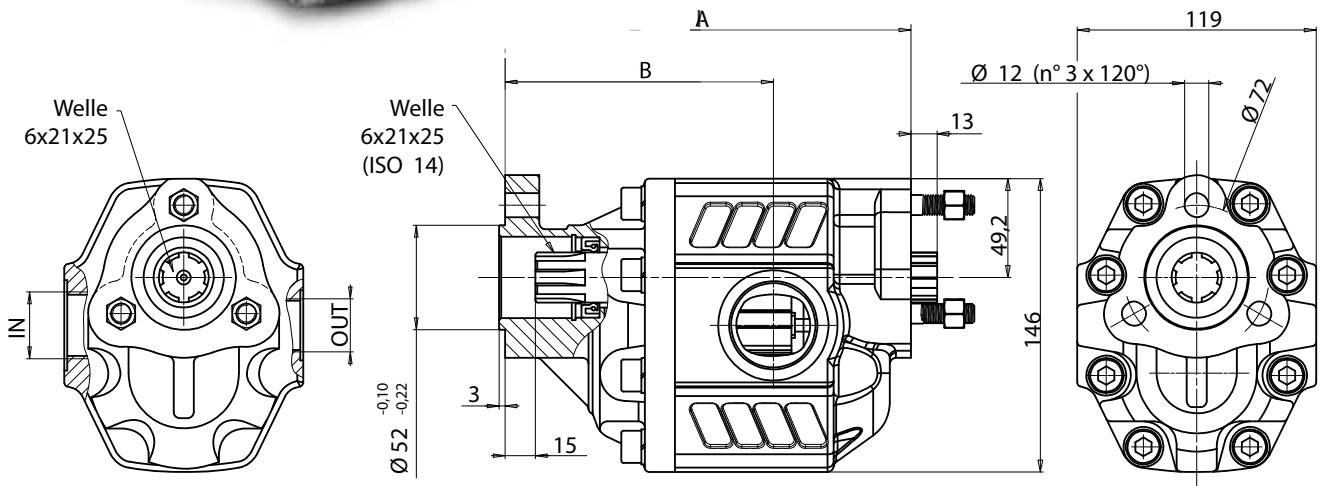


| Displacement | Ordering Code | | Technical Information | | | | | | Dimensions | | | | | |
|--------------|------------------------------|------------------------------|-----------------------|-----------|-----------|---------------|-------------------------------|---------------|------------------|------------------|------------------|------------------|---------|---------|
| | Bi-Directional Motor Version | Bi-Directional Motor Version | P1 in bar | P2 in bar | P3 in bar | Maximum Speed | Maximum Intermitt. Peak Speed | min. Pressure | Suction Outlet 1 | Suction Outlet 2 | Pressure Conn. 1 | Pressure Conn. 2 | A in mm | B in mm |
| 63,7 | A7GMT | 035-969-01050 | 290 | 315 | 325 | 1800 | 2700 | 300 | 1" | 3/4" | 199,5 | 136,5 | 20,1 | |
| 74,87 | A7GMT | 035-969-01150 | 280 | 300 | 315 | 1800 | 2700 | 300 | 1" | 3/4" | 203,5 | 140,5 | 20,7 | |
| 85,96 | A7GMT | 035-969-01250 | 260 | 280 | 290 | 1800 | 2700 | 300 | 1-1/4" | 1" | 207,5 | 141 | 20,9 | |
| 102,6 | A7GMT | 035-969-01350 | 250 | 270 | 280 | 1800 | 2700 | 300 | 1-1/4" | 1" | 213,5 | 144,5 | 21,5 | |
| 119,24 | A7GMT | 035-969-01450 | 240 | 260 | 270 | 1500 | 2700 | 300 | 1-1/4" | 1" | 219,5 | 150,5 | 22 | |
| 135,88 | A7GMT | 035-969-01550 | 220 | 250 | 260 | 1500 | 2500 | 300 | 1-1/2" | 1" | 225,5 | 153,5 | 22,8 | |
| 149,75 | A7GMT | 035-969-01650 | 180 | 210 | 220 | 1500 | 2500 | 300 | 1-1/2" | 1" | 230,5 | 158,8 | 24,1 | |

P1 = max. Pressure (100%)

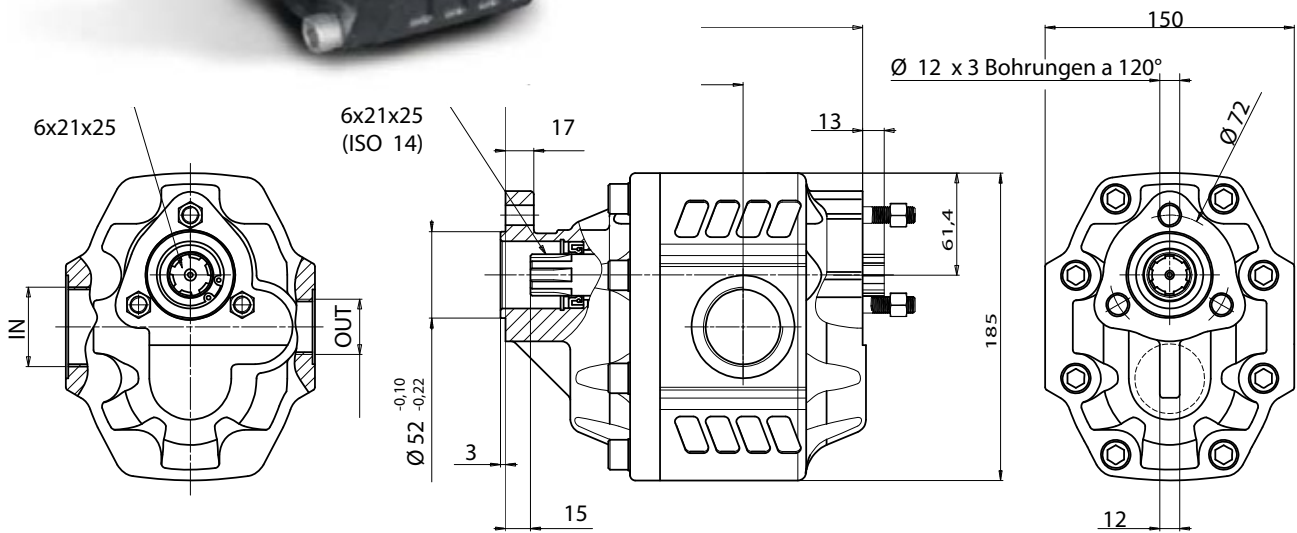
P2 = max. Intermittent pressure (max. 20 Sec.)

P3 = Peak Pressure (max. 6 Sec.)



| Displacement | Ordering Code | | Technical Information | | | | | | Dimensions | | | | | |
|--------------|------------------------------|------------------------------|-----------------------|-----------|-----------|---------------|-------------------------------|---------------|------------------|------------------|------------------|------------------|---------|---------|
| | Bi-Directional Motor Version | Bi-Directional Motor Version | P1 in bar | P2 in bar | P3 in bar | Maximum Speed | Maximum Intermitt. Peak Speed | min. Pressure | Suction Outlet 1 | Suction Outlet 2 | Pressure Conn. 1 | Pressure Conn. 2 | A in mm | B in mm |
| 17,04 | A7GMT | 035-979-01050 | 290 | 315 | 325 | 2500 | 3000 | 300 | 300 | 1/2" | 1/2" | 164 | 103 | 9,6 |
| 22,15 | A7GMT | 035-979-01150 | 290 | 315 | 325 | 2500 | 3000 | 300 | 300 | 1/2" | 1/2" | 167,5 | 105,5 | 9,8 |
| 26,18 | A7GMT | 035-979-01250 | 290 | 315 | 325 | 2500 | 3000 | 300 | 300 | 1/2" | 1/2" | 170 | 108 | 10,1 |
| 33,88 | A7GMT | 035-979-01350 | 280 | 300 | 310 | 2200 | 2800 | 300 | 300 | 3/4" | 3/4" | 175 | 108 | 10,5 |
| 43,12 | A7GMT | 035-979-01450 | 270 | 290 | 300 | 2000 | 2500 | 300 | 300 | 3/4" | 3/4" | 181 | 114 | 11,02 |
| 50,82 | A7GMT | 035-979-01550 | 240 | 260 | 280 | 2000 | 2500 | 300 | 300 | 3/4" | 3/4" | 186 | 114,5 | 11,3 |
| 60,06 | A7GMT | 035-979-01650 | 220 | 240 | 250 | 1800 | 2000 | 300 | 300 | 1" | 1" | 192 | 120,5 | 11,8 |
| 72,88 | A7GMT | 035-979-01750 | 200 | 220 | 230 | 1600 | 1800 | 300 | 300 | 1" | 1" | 200 | 119,5 | 12,4 |
| 81,08 | A7GMT | 035-979-01850 | 190 | 210 | 220 | 1500 | 1800 | 300 | 300 | 1-1/4" | 1-1/4" | 205 | 126,5 | 12,6 |

P1 = max. Pressure (100%)
 P2 = max. Intermittent pressure (max. 20 Sec.)
 P3 = Peak Pressure (max. 6 Sec.)

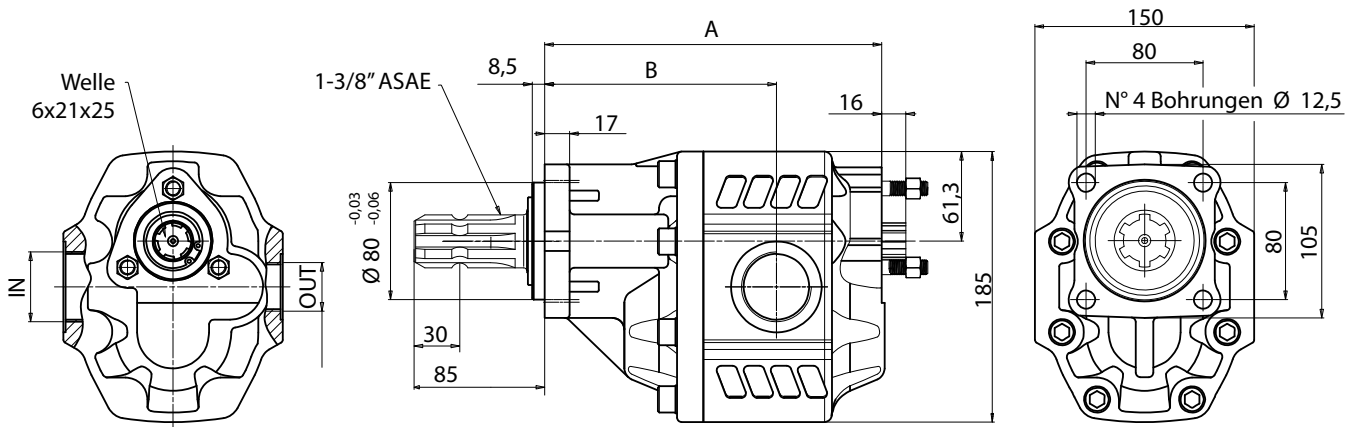


| Displacement | Ordering Code | | Technical Information | | | | | | Dimensions | | | | | |
|--------------|------------------------------|------------------------------|-----------------------|-----------|-----------|---------------|-------------------------------|---------------|------------------|------------------|------------------|------------------|---------|---------|
| | Bi-Directional Motor Version | Bi-Directional Motor Version | P1 in bar | P2 in bar | P3 in bar | Maximum Speed | Maximum Intermitt. Peak Speed | min. Pressure | Suction Outlet 1 | Suction Outlet 2 | Pressure Conn. 1 | Pressure Conn. 2 | A in mm | B in mm |
| 63,7 | A7GMT | 035-989-01050 | 290 | 315 | 325 | 1800 | 2700 | 300 | 1" | 3/4" | 184 | 121 | 17 | |
| 74,87 | A7GMT | 035-989-01150 | 280 | 300 | 315 | 1800 | 2700 | 300 | 1" | 3/4" | 188 | 125 | 18 | |
| 85,96 | A7GMT | 035-989-01250 | 260 | 280 | 290 | 1800 | 2700 | 300 | 1-1/4" | 1" | 192 | 125,5 | 18,5 | |
| 102,6 | A7GMT | 035-989-01350 | 250 | 270 | 280 | 1800 | 2700 | 300 | 1-1/4" | 1" | 198 | 129 | 19 | |
| 119,24 | A7GMT | 035-989-01450 | 240 | 260 | 270 | 1500 | 2700 | 300 | 1-1/4" | 1" | 204 | 135 | 19,5 | |
| 135,88 | A7GMT | 035-989-01550 | 220 | 250 | 260 | 1500 | 2500 | 300 | 1-1/2" | 1" | 210 | 138 | 20,5 | |
| 149,75 | A7GMT | 035-989-01650 | 180 | 210 | 220 | 1500 | 2500 | 300 | 1-1/2" | 1" | 215 | 143 | 21 | |

P1 = max. Pressure (100%)

P2 = max. Intermittent pressure (max. 20 Sec.)

P3 = Peak Pressure (max. 6 Sec.)



| Displacement | Ordering Code | | Technical Information | | | | | | Dimensions | | | | | |
|--------------|------------------------------|------------------------------|-----------------------|-----------|-----------|---------------|-------------------------------|---------------|------------------|------------------|------------------|------------------|---------|---------|
| | Bi-Directional Motor Version | Bi-Directional Motor Version | P1 in bar | P2 in bar | P3 in bar | Maximum Speed | Maximum Intermitt. Peak Speed | min. Pressure | Suction Outlet 1 | Suction Outlet 2 | Pressure Conn. 1 | Pressure Conn. 2 | A in mm | B in mm |
| 63,7 | A7GMT | 035-999-01050 | 290 | 315 | 325 | 1800 | 2700 | 300 | 1" | 3/4" | 199,5 | 136,5 | | |
| 74,87 | A7GMT | 035-999-01150 | 280 | 300 | 315 | 1800 | 2700 | 300 | 1" | 3/4" | 203,5 | 140,5 | | |
| 85,96 | A7GMT | 035-999-01250 | 260 | 280 | 290 | 1800 | 2700 | 300 | 1-1/4" | 1" | 207,5 | 141 | | |
| 102,6 | A7GMT | 035-999-01350 | 250 | 270 | 280 | 1800 | 2700 | 300 | 1-1/4" | 1" | 213,5 | 144,5 | | |
| 119,24 | A7GMT | 035-999-01450 | 240 | 260 | 270 | 1500 | 2700 | 300 | 1-1/4" | 1" | 219,5 | 150,5 | | |
| 135,88 | A7GMT | 035-999-01550 | 220 | 250 | 260 | 1500 | 2500 | 300 | 1-1/2" | 1" | 225,5 | 153,5 | | |
| 149,75 | A7GMT | 035-999-01650 | 180 | 210 | 220 | 1500 | 2500 | 300 | 1-1/2" | 1" | 230,5 | 158,5 | | |

P1 = max. Pressure (100%)

P2 = max. Intermittent pressure (max. 20 Sec.)

P3 = Peak Pressure (max. 6 Sec.)

Complete Product Range

Bent Axis Piston Motors

A9MD (DIN) Bent Axis Motors
A9MO (ISO) Bent Axis Motors
A9MS (SAE) Bent Axis Motors
A9ML (SAE2) Bent Axis Motors
A9MF (Fixed Plugin) Bent Axis Motors
A10M (HYBRID) Bent Axis Motors
A7GM Hydraulic Gear Motors
A7GMT Tandem Hydraulic Gear Motors

Bent Axis Piston Pumps

A8P (Aluminum) Bent Axis Pumps
A8PD (DIN) Bent Axis Pumps
A8PO (ISO) Bent Axis Pumps
A8PS (SAE) Bent Axis Pumps
A8PF (Fixed Plugin) Bent Axis Pumps
A10 (HYBRID) Bent Axis Pumps
A11 (ISO2) Bent Axis Pumps
A11 (SAE2) Bent Axis Pumps

Variable Displacement Pumps

A12V Variable Displacement Piston Pumps

Dual Flow Piston Pumps

A8PL (DIN) Dual Flow Pumps

Axial Piston & Gear Pumps

A4PP Axial Hydraulic Piston Pumps
A6HP High Pressure Piston Pumps
A7GP Hydraulic Gear Pumps
A7GPT Tandem Hydraulic Gear Pumps

Valve (ByPass) (Flushing) (Cavitation)

Circulation Valve
ByPass Valve
Anti-Cavitation Valve
Flushing Valve
LS Valve
AntiShock Valve
Speed Sensor

Hydraulic Spare Parts

Suction Fittings
Couplars
Adapters
Flanges
Power Take Off
Monoblock Valve
Section Valve

Hydraulic Pumps, Motors

Bent Axis Hydraulic Piston Motors, Bent Axis Hydraulic Piston Pumps, Piston Pumps, Variable Displacement Piston Pumps, Variable Displacement Piston Motors, Axial Piston Pumps, High Pressure Piston Pumps, Gear Pumps, Gear Motors, Hydraulic Valve.

www.hydrogold.com.tr

Address;

HYDROGOLD HİDROLİK PNM. MAK. SAN. TİC. LTD. ŞTİ.

Address; (Fabrika, İmalat)

Fevzicakmak Mah. Sıla Cad. Kobisan 3 San. Sit.

No: 73 / C Karatay – Konya, PO Code; 42050, Türkiye

Address; (Montaj, Sevkiyat)

Fevzicakmak Mah. Sıla Cad. Kobisan 3 San. Sit.

No: 71 / AD Karatay – Konya, PO Code; 42050, Türkiye

Phone; +90 332 248 92 01

info@hydrogold.com.tr