

A7GM Hidrolik Dişli Motor

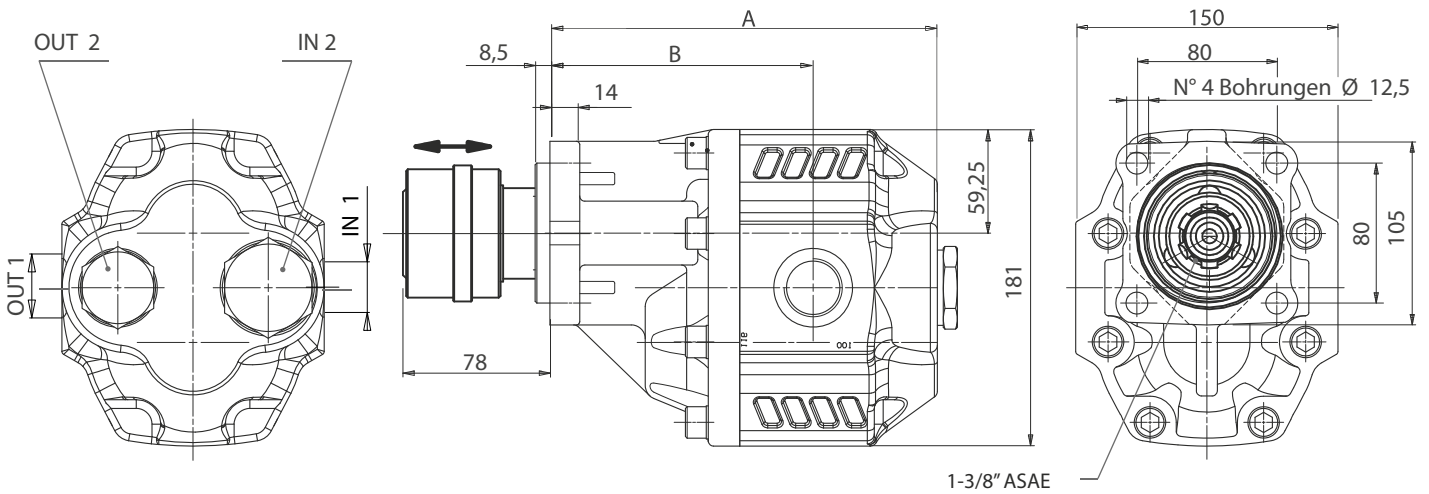
Hydraulic Gear Motors, Single Flow, High Pressure.
High Rotational Speed, High Efficiency, Slim Design.
Cast Iron Motor Body, Re-Designed in 2025.

Designation;

17cc, 22cc, 25cc, 40cc, 45cc, 50cc,
63cc, 75cc, 80cc, 100cc, 110cc, 120cc, 130cc



www.hydrogold.com.tr

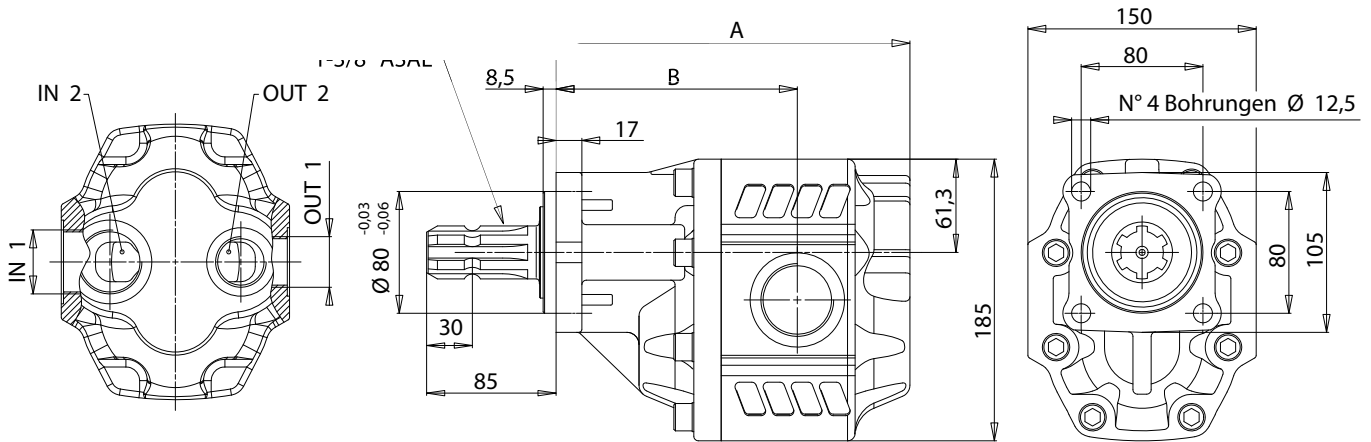


Displacement	Ordering Code		Technical Information							Dimensions				Weight in KG	
	Bi-Directional Motor Version	Bi-Directional Motor Version	P1 in bar	P2 in bar	P3 in bar	Maximum Speed	Maximum Intermitt. Peak Speed	min. Pressure	Suction Outlet 1	Suction Outlet 2	Pressure Conn. 1	Pressure Conn. 2	A in mm		B in mm
63.70	A7GM	035-900-01050	290	315	325	1800	2700	300	1"	1"	3/4"	3/4"	201.5	136.5	20
74.87	A7GM	035-900-01150	280	300	315	1800	2700	300	1"	1"	3/4"	3/4"	205.5	140.5	22
85.96	A7GM	035-900-01250	260	280	290	1800	2700	300	1-1/4"	1-1/4"	1"	1"	209.5	141	22.5
102.60	A7GM	035-900-01350	250	270	280	1800	2700	300	1-1/4"	1-1/4"	1"	1"	215.5	144.5	23
119.24	A7GM	035-900-01450	240	260	270	1500	2700	300	1-1/4"	1-1/4"	1"	1"	221.5	150.5	23.5
135.88	A7GM	035-900-01550	220	250	260	1500	2500	300	1-1/2"	1-1/2"	1"	1"	231.5	152.5	24.5
149.75	A7GM	035-900-01650	180	210	220	1500	2500	300	1-1/2"	1-1/2"	1"	1"	236.5	157.5	25

P1 = max. Pressure (100%)

P2 = max. Intermittent pressure (max. 20 Sec.)

P3 = Peak Pressure (max. 6 Sec.)

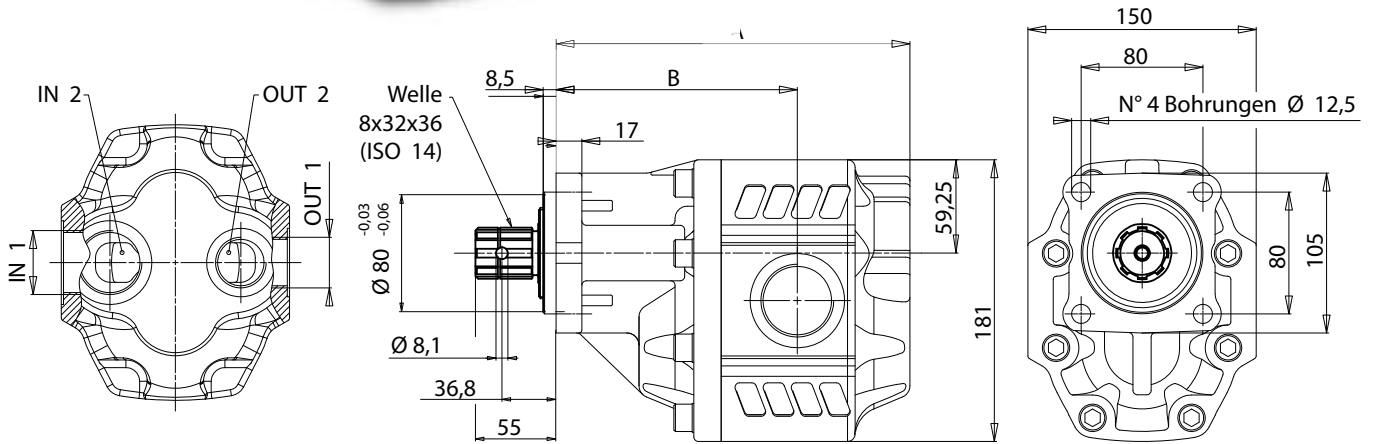


Displacement	Ordering Code		Technical Information										Dimensions		
	Bi-Directional Motor Version	Bi-Directional Motor Version	P1 in bar	P2 in bar	P3 in bar	Maximum Speed	Maximum Intermitt. Peak Speed	min. Pressure	Suction Outlet 1	Suction Outlet 2	Pressure Conn. 1	Pressure Conn. 2	A in mm	B in mm	Weight in KG
63,7	A7GM	035-909-01050	290	315	325	1800	2700	300	1"	1"	3/4"	3/4"	201,5	136,5	19
74,87	A7GM	035-909-01150	280	300	315	1800	2700	300	1"	1"	3/4"	3/4"	205,5	140,5	21
85,96	A7GM	035-909-01250	260	280	290	1800	2700	300	1-1/4"	1-1/4"	1"	1"	209,5	141	21,5
102,6	A7GM	035-909-01350	250	270	280	1800	2700	300	1-1/4"	1-1/4"	1"	1"	215,5	144,5	22
119,24	A7GM	035-909-01450	240	260	270	1500	2700	300	1-1/4"	1-1/4"	1"	1"	221,5	150,5	22,5
135,88	A7GM	035-909-01550	220	250	260	1500	2500	300	1-1/2"	1-1/2"	1"	1"	227,5	153,5	23,5
149,75	A7GM	035-909-01650	180	210	220	1500	2500	300	1-1/2"	1-1/2"	1"	1"	232,5	158,5	24

P1 = max. Pressure (100%)

P2 = max. Intermittent pressure (max. 20 Sec.)

P3 = Peak Pressure (max. 6 Sec.)

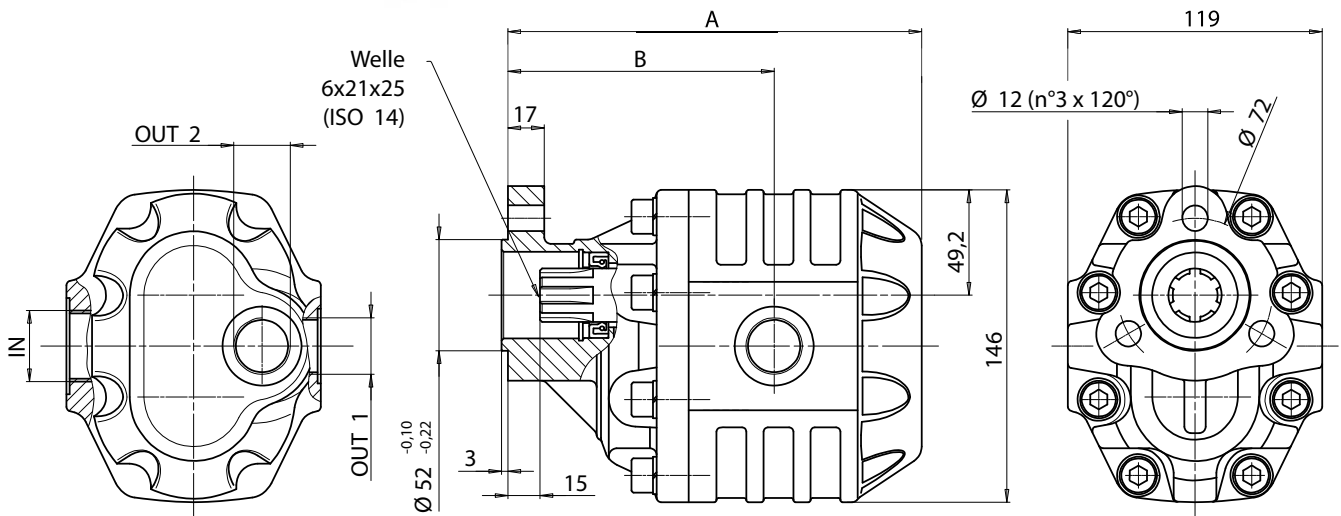


Displacement	Ordering Code		Technical Information						Dimensions						
	Bi-Directional Motor Version	Bi-Directional Motor Version	P1 in bar	P2 in bar	P3 in bar	Maximum Speed	Maximum Intermitt. Peak Speed	min. Pressure	Suction Outlet 1	Suction Outlet 2	Pressure Conn. 1	Pressure Conn. 2	A in mm	B in mm	Weight in KG
63,7	A7GM	030-929-01050	290	315	325	1800	2700	300	1"	1"	3/4"	3/4"	201,5	136,5	19
74,87	A7GM	030-929-01150	280	300	315	1800	2700	300	1"	1"	3/4"	3/4"	205,5	140,5	21
85,96	A7GM	030-929-01250	260	280	290	1800	2700	300	1-1/4"	1-1/4"	1"	1"	209,5	141	21,5
102,6	A7GM	030-929-01350	250	270	280	1800	2700	300	1-1/4"	1-1/4"	1"	1"	215,5	144,5	22
119,24	A7GM	030-929-01450	240	260	270	1500	2700	300	1-1/4"	1-1/4"	1"	1"	221,5	150,5	22,5
135,88	A7GM	030-929-01550	220	250	260	1500	2500	300	1-1/2"	1-1/2"	1"	1"	231,5	152,5	23,5
149,75	A7GM	030-929-01650	180	210	220	1500	2500	300	1-1/2"	1-1/2"	1"	1"	236,5	157,5	24

P1 = max. Pressure (100%)

P2 = max. Intermittent pressure (max. 20 Sec.)

P3 = Peak Pressure (max. 6 Sec.)

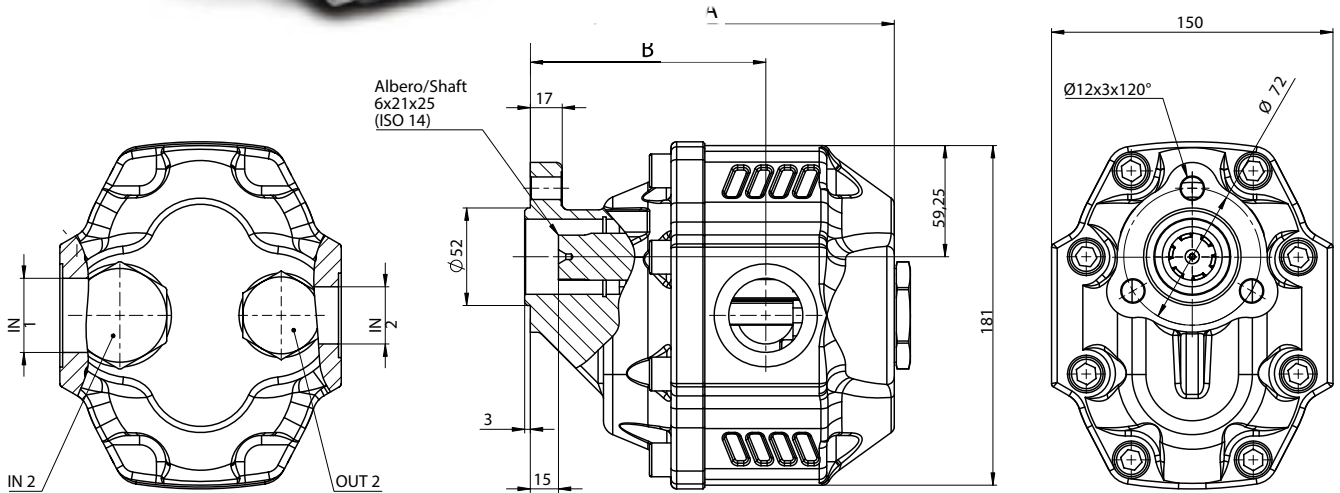


Displacement	Ordering Code		Technical Information							Dimensions				
	Bi-Directional Motor Version	Bi-Directional Motor Version	P1 in bar	P2 in bar	P3 in bar	Maximum Speed	Maximum Intermitt. Peak Speed	min. Pressure	Suction Outlet 1	Suction Outlet 2	Pressure Conn. 1	Pressure Conn. 2	A in mm	B in mm
17,04	A7GM	030-939-01050	290	315	325	2500	3000	300	1/2"	1/2"	1/2"	152,5	103,5	8,5
22,15	A7GM	030-939-01150	290	315	325	2500	3000	300	1/2"	1/2"	1/2"	156	105,5	9
26,18	A7GM	030-939-01250	290	315	325	2500	3000	300	3/4"	1/2"	1/2"	158,5	108	9,5
38,88	A7GM	030-939-01350	280	300	310	2200	2800	300	3/4"	3/4"	3/4"	163,5	109	10,5
43,12	A7GM	030-939-01450	270	290	300	2000	2500	300	3/4"	3/4"	3/4"	169,5	114	11
50,82	A7GM	030-939-01550	240	260	280	2000	2500	300	1"	3/4"	3/4"	174,5	114,5	11,5
60,06	A7GM	030-939-01650	220	240	250	1800	2000	300	1"	3/4"	3/4"	180,5	120,5	12
72,88	A7GM	030-939-01750	200	220	230	1600	1800	300	1"	3/4"	3/4"	188,5	119,5	12,5
81,08	A7GM	030-939-01850	190	210	220	1500	1800	300	1-1/4"	3/4"	3/4"	193,5	124,5	13
90,43	A7GM	030-939-01950	180	200	220	1500	1800	300	1-1/4"	1"	3/4"	204,5	132,5	13,5
98,18	A7GM	030-939-02050	180	200	220	1500	1800	300	1-1/4"	1"	3/4"	210,5	138,5	14
122,72	A7GM	030-939-02150	160	180	200	1500	1800	300	1-1/4"	1"	3/4"	226,5	142,5	16

P1 = max. Pressure (100%)

P2 = max. Intermittent pressure (max. 20 Sec.)

P3 = Peak Pressure (max. 6 Sec.)



Displacement	Ordering Code		Technical Information							Dimensions				Weight in KG	
	Bi-Directional Motor Version	Bi-Directional Motor Version	P1 in bar	P2 in bar	P3 in bar	Maximum Speed	Maximum Intermitt. Peak Speed	min. Pressure	Suction Outlet 1	Suction Outlet 2	Pressure Conn. 1	Pressure Conn. 2	A in mm		B in mm
63,7	A7GM	030-949-01050	290	315	325	1800	2700	300	1"	1"	3/4"	3/4"	186	121	17,5
74,87	A7GM	030-949-01150	280	300	315	1800	2700	300	1"	1"	3/4"	3/4"	190	125	18,5
85,96	A7GM	030-949-01250	260	280	290	1800	2700	300	1-1/4"	1-1/4"	1"	1"	194	125,5	19
102,6	A7GM	030-949-01350	250	270	280	1800	2700	300	1-1/4"	1-1/4"	1"	1"	200	129	19,5
119,24	A7GM	030-949-01450	240	260	270	1500	2700	300	1-1/4"	1-1/4"	1"	1"	206	135	20
135,88	A7GM	030-949-01550	220	250	260	1500	2500	300	1-1/2"	1-1/2"	1"	1"	216	137	21
149,75	A7GM	030-949-01650	180	210	220	1500	2500	300	1-1/2"	1-1/2"	1"	1"	221	142	21,5

P1 = max. Pressure (100%)

P2 = max. Intermittent pressure (max. 20 Sec.)

P3 = Peak Pressure (max. 6 Sec.)

Complete Product Range

Bent Axis Piston Motors

A9MD (DIN) Bent Axis Motors
A9MO (ISO) Bent Axis Motors
A9MS (SAE) Bent Axis Motors
A9ML (SAE2) Bent Axis Motors
A9MF (Fixed Plugin) Bent Axis Motors
A10M (HYBRID) Bent Axis Motors
A7GM Hydraulic Gear Motors
A7GMT Tandem Hydraulic Gear Motors

Bent Axis Piston Pumps

A8P (Aluminum) Bent Axis Pumps
A8PD (DIN) Bent Axis Pumps
A8PO (ISO) Bent Axis Pumps
A8PS (SAE) Bent Axis Pumps
A8PF (Fixed Plugin) Bent Axis Pumps
A10 (HYBRID) Bent Axis Pumps
A11 (ISO2) Bent Axis Pumps
A11 (SAE2) Bent Axis Pumps

Variable Displacement Pumps

A12V Variable Displacement Piston Pumps

Dual Flow Piston Pumps

A8PL (DIN) Dual Flow Pumps

Axial Piston & Gear Pumps

A4PP Axial Hydraulic Piston Pumps
A6HP High Pressure Piston Pumps
A7GP Hydraulic Gear Pumps
A7GPT Tandem Hydraulic Gear Pumps

Valve (ByPass) (Flushing) (Cavitation)

Circulation Valve
ByPass Valve
Anti-Cavitation Valve
Flushing Valve
LS Valve
AntiShock Valve
Speed Sensor

Hydraulic Spare Parts

Suction Fittings
Couplars
Adapters
Flanges
Power Take Off
Monoblock Valve
Section Valve

Hydraulic Pumps, Motors

Bent Axis Hydraulic Piston Motors, Bent Axis Hydraulic Piston Pumps, Piston Pumps, Variable Displacement Piston Pumps, Variable Displacement Piston Motors, Axial Piston Pumps, High Pressure Piston Pumps, Gear Pumps, Gear Motors, Hydraulic Valve.

www.hydrogold.com.tr

Address;

HYDROGOLD HİDROLİK PNM. MAK. SAN. TİC. LTD. ŞTİ.

Address; (Fabrika, İmalat)

Fevzicakmak Mah. Sıla Cad. Kobisan 3 San. Sit.

No: 73 / C Karatay – Konya, PO Code; 42050, Türkiye

Address; (Montaj, Sevkiyat)

Fevzicakmak Mah. Sıla Cad. Kobisan 3 San. Sit.

No: 71 / AD Karatay – Konya, PO Code; 42050, Türkiye

Phone; +90 332 248 92 01

info@hydrogold.com.tr