

## A6HP Yüksek Basıncılı Pistonlu Pompa

High Pressure Hydraulic Piston Pumps, 600-700 Bar Working Pressure,  
High Pressure, High Rotational Speed, High Efficiency, Slim Design.  
Cast Iron Pump Body, Re-Designed in 2025.

### Designation;

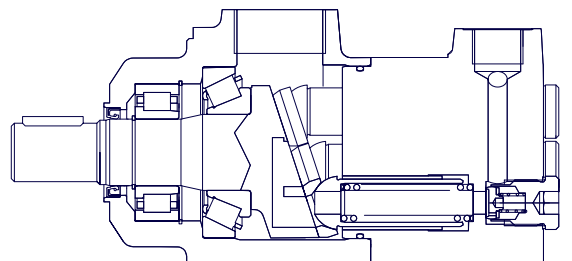
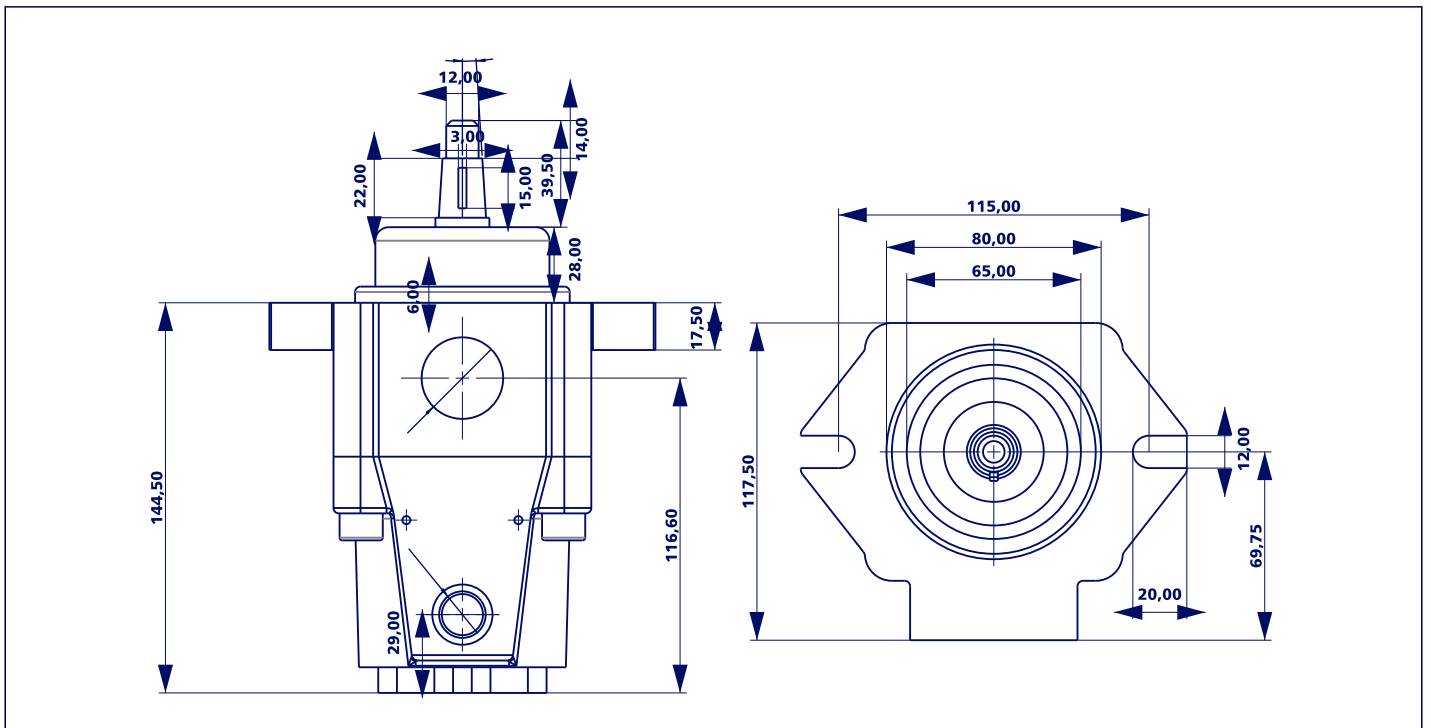
02 Lt. 04 Lt. 06 Lt.

12 Lt. 15 Lt. 22 Lt.



[www.hydrogold.com.tr](http://www.hydrogold.com.tr)

		02	04	06	12	15	22	
<b>Displacement</b>	<b>Litre</b>	1,56	2,70	4,40	7,80	10,50	14,73	
<b>Theoretical oil flow l/min at pump speed</b>	<b>1000 rpm</b>	1,56	2,70	4,40	7,80	10,50	14,73	
	<b>1500 rpm</b>	2,34	4,05	6,60	11,70	15,75	22,09	
<b>Maximum Pump Speed</b>	- Continuous	<b>rpm</b>	3000	3000	3000	2800	2800	2800
	- Limited	<b>rpm</b>	3500	3500	3500	3000	3000	3000
<b>Max. Continuous Pressure</b>	<b>bar</b>	600	600	600	450	400	400	
<b>Max. Peak Pressure</b>	<b>bar</b>	700	700	700	500	500	500	
<b>Weight</b>	- Without inlet fitting	<b>kg</b>	5,50	5,50	5,50	8,00	8,00	8,00
	- With inlet fitting	<b>kg</b>	5,60	5,60	5,60	8,15	8,15	8,15
<b>Fluid</b>		Mineral Based Hydraulic Oils						
<b>Inlet</b>		G 1"	G 1"	G 1"	G1 1/4"	G1 1/4"	G1 1/4"	
<b>Outlet</b>		G 3/8"	G 3/8"	G 3/8"	G 1/2"	G 1/2"	G 1/2"	



Pump Code      Displacement ( Litre )

**A6HP**      **22**

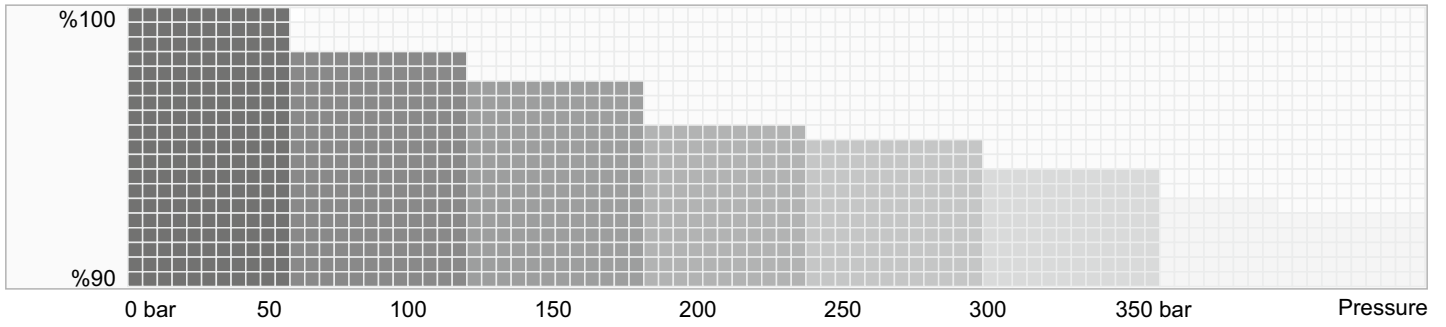
**02    04    06    12    15    22**

**A6HP High Pressure Piston Pump, Fixed Displacement, 2 BOLT Mounting Flange**

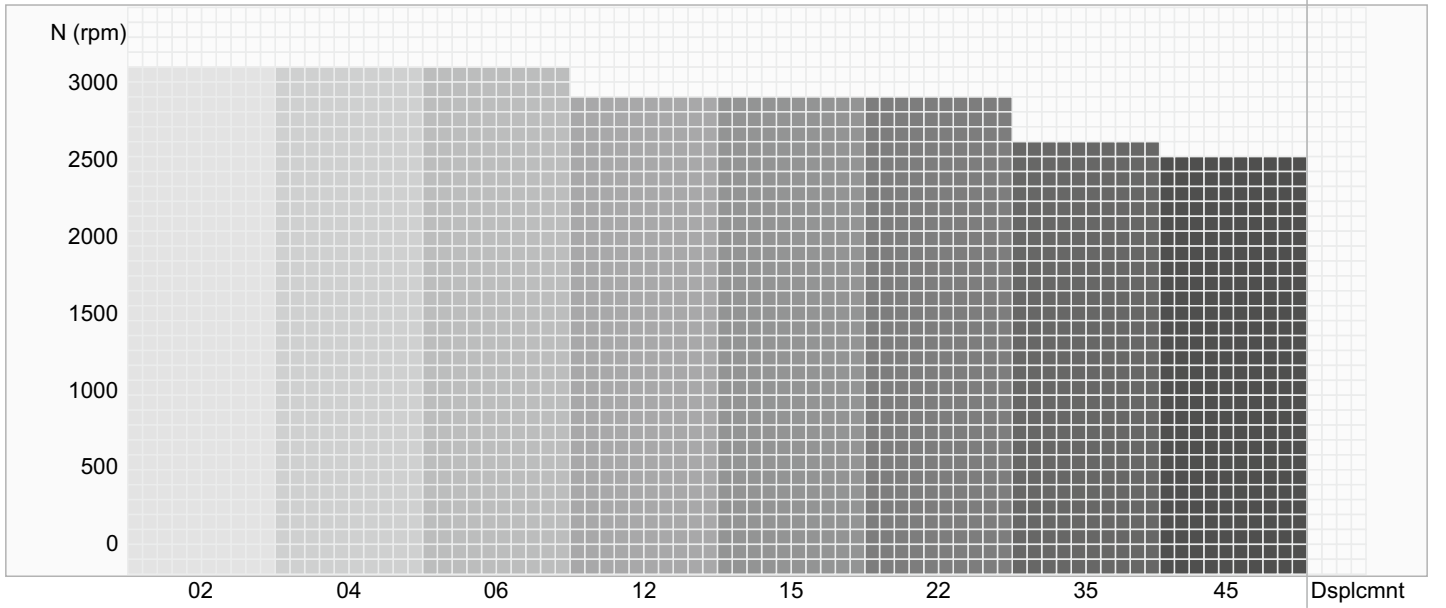
Formulas			
<b>Pump Output Flow</b>	GPM	$GPM = (\text{Speed (rpm)} \times \text{disp. (cu. in.)}) / 231$	$GPM = (n \times d) / 231$
<b>Pump Input Horsepower</b>	HP	$HP = GPM \times \text{Pressure (psi)} / 1714 \times \text{Efficiency}$	$HP = (Q \times P) / 1714 \times E$
<b>Pump Efficiency</b>	E	Overall Efficiency = Output HP / Input HP	$E_{\text{Overall}} = \text{HP}_{\text{Out}} / \text{HP}_{\text{In}} \times 100$
		Overall Efficiency = Volumetric Eff. $\times$ Mechanical Eff.	$E_{\text{Overall}} = \text{EffVol.} \times \text{EffMech.}$
<b>Pump Volumetric Efficiency</b>	E	Volumetric Efficiency = Actual Flow Rate Output (GPM) / Theoretical Flow Rate Output (GPM) $\times$ 100	$\text{EffVol.} = Q_{\text{Act.}} / Q_{\text{Theo.}} \times 100$
<b>Pump Mechanical Efficiency</b>	E	Mechanical Efficiency = Theoretical Torque to Drive / Actual Torque to Drive $\times$ 100	$\text{EffMech} = T_{\text{Theo.}} / T_{\text{Act.}} \times 100$
<b>Pump Displacement</b>	CIPR	$\text{Dsplcmnt (In.}^3 \text{ / rev.)} = \text{Flow Rate (GPM)} \times 231 / \text{Pump RPM}$	$\text{CIPR} = \text{GPM} \times 231 / \text{RPM}$
<b>Pump Torque</b>	T	Torque = Horsepower $\times$ 63025 / RPM	$T = 63025 \times \text{HP} / \text{RPM}$
		Torque = Pressure (PSIG) $\times$ Pump Displacement (CIPR) / $2\pi$	$T = P \times \text{CIPR} / 6.28$

- Horsepower for driving a pump** : For every 1 hp of drive, the equivalent of 1 gpm @ 1500 psi can be produced.
- Horsepower for idling a pump** : To idle a pump when it is unloaded will require about 5% of it's full rated power
- Wattage for heating hydraulic oil** : Each watt will raise the temperature of 1 gallon of oil by 1° F. per hour.
- Flow velocity in hydraulic lines** : Pump suction lines 2 to 4 feet per second, pressure lines up to 500 psi - 10 to 15 ft./sec., pressure lines 500 to 3000 psi - 15 to 20 ft./sec.; all oil lines in air-over-oil systems; 4 ft./sec.

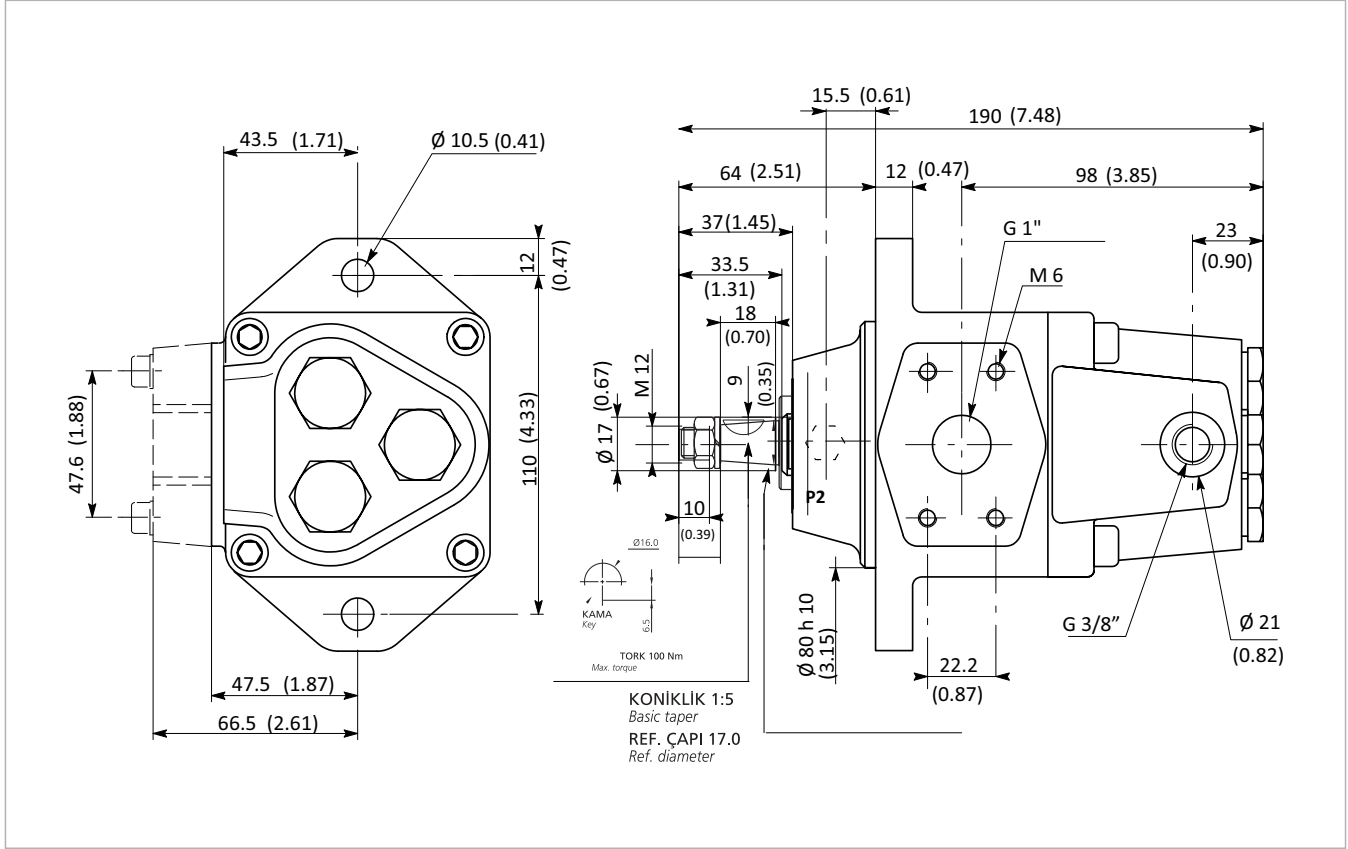
**Efficiency Curves ( 1000 rpm )**



**Flow**



## A6HP 02 Litre - Yüksek Basıncılı Pistonlu Pompa



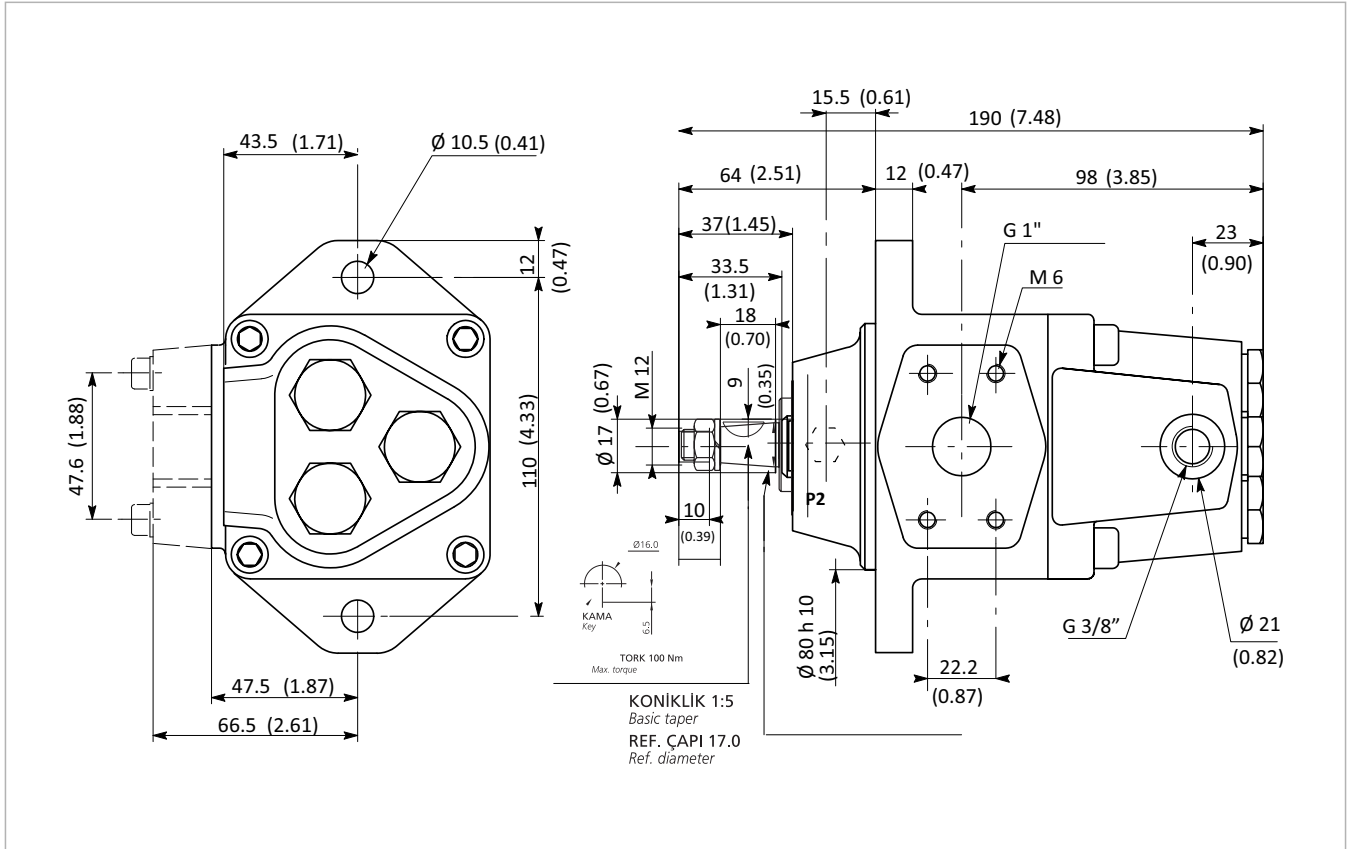
<b>x 1000 rpm</b>	1,56 Lt.
<b>x 1500 rpm</b>	2,34 Lt.
<b>Max. Continuous Pump Speed</b>	3000 rpm
<b>Max. Limited Pump Speed</b>	3500 rpm
<b>Max. Continuous Pressure</b>	600 bar
<b>Max. Intermit. Peak Pressure</b>	700 bar
<b>Weight without inlet fitting</b>	5,50 kg
<b>Weight with inlet fitting</b>	5,60 kg
<b>Fluid</b>	Min.B.Hyd.Oil
<b>Inlet</b>	G 1"
<b>Outlet</b>	G 3/8"



**CW**

Rotation :  
Fixed-Clock Wise

## A6HP 04 Litre - Yüksek Basıncılı Pistonlu Pompa



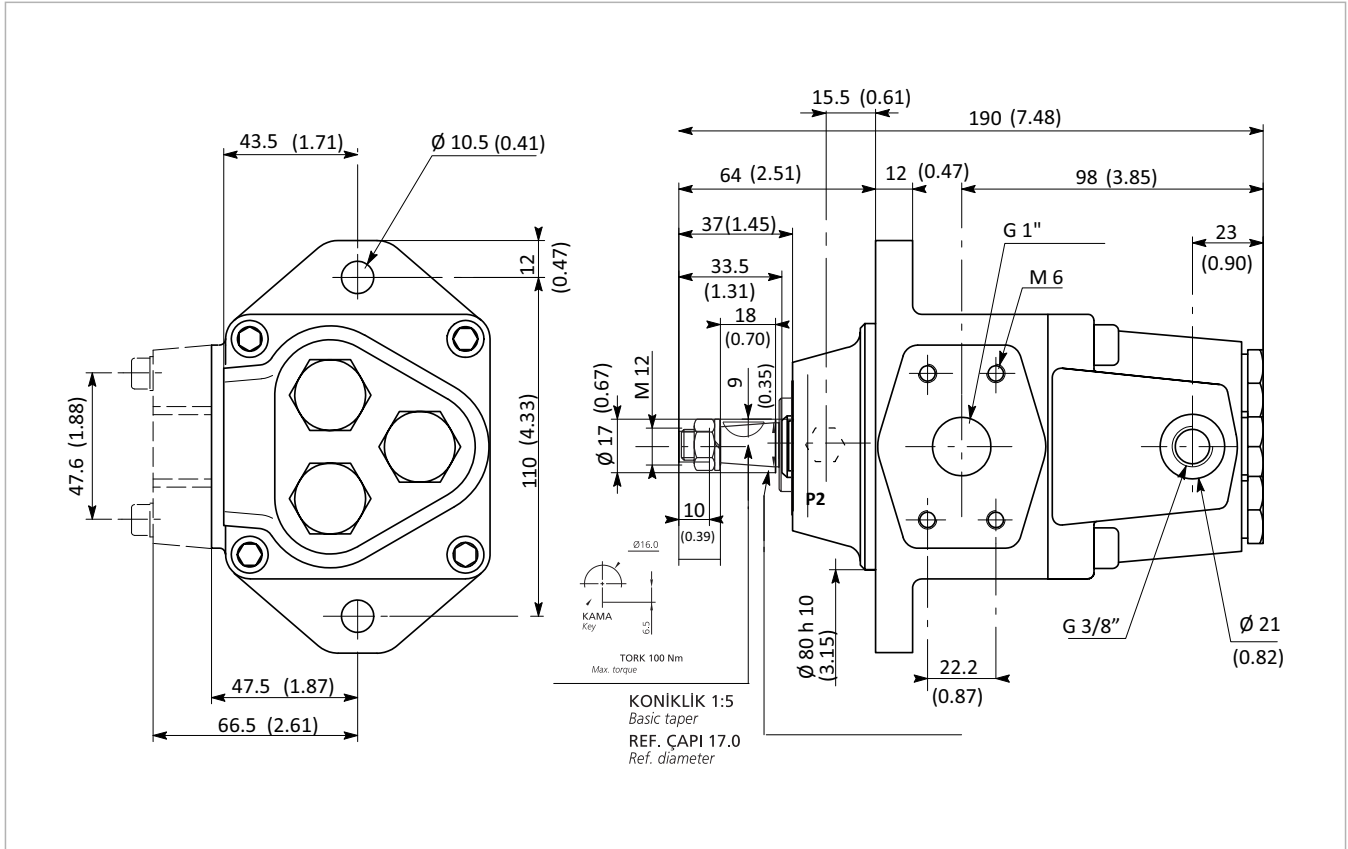
<b>x 1000 rpm</b>	2,70 Lt.
<b>x 1500 rpm</b>	4,05 Lt.
<b>Max. Continuous Pump Speed</b>	3000 rpm
<b>Max. Limited Pump Speed</b>	3500 rpm
<b>Max. Continuous Pressure</b>	600 bar
<b>Max. Intermit. Peak Pressure</b>	700 bar
<b>Weight without inlet fitting</b>	5,50 kg
<b>Weight with inlet fitting</b>	5,60 kg
<b>Fluid</b>	Min.B.Hyd.Oil
<b>Inlet</b>	G 1"
<b>Outlet</b>	G 3/8"



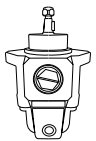
**CW**

Rotation :  
Fixed-Clock Wise

## A6HP 06 Lt. - Yüksek Basıncılı Pistonlu Pompa



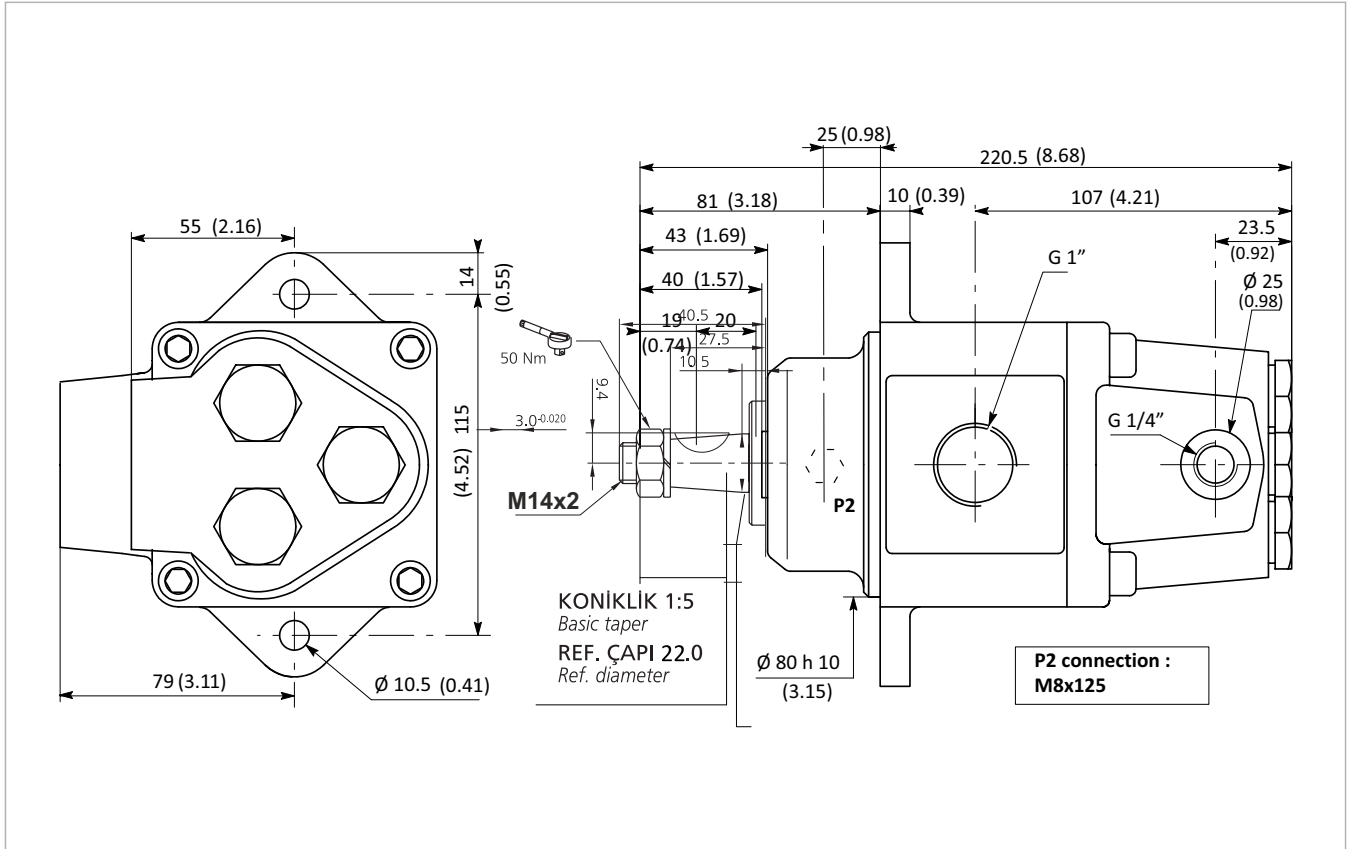
x 1000 rpm	4,40 Lt.
x 1500 rpm	6,60 Lt.
Max. Continuous Pump Speed	3000 rpm
Max. Limited Pump Speed	3500 rpm
Max. Continuous Pressure	600 bar
Max. Intermit. Peak Pressure	700 bar
Weight without inlet fitting	5,50 kg
Weight with inlet fitting	5,60 kg
Fluid	Min.B.Hyd.Oil
Inlet	G 1"
Outlet	G 3/8"



**CW**

Rotation :  
Fixed-Clock Wise

## A6HP 12 Lt. - Yüksek Basıncılı Pistonlu Pompa



<b>x 1000 rpm</b>	7,80 Lt.
<b>x 1500 rpm</b>	11,70 Lt.
<b>Max. Continuous Pump Speed</b>	2800 rpm
<b>Max. Limited Pump Speed</b>	3000 rpm
<b>Max. Continuous Pressure</b>	450 bar
<b>Max. Intermit. Peak Pressure</b>	500 bar
<b>Weight without inlet fitting</b>	8,00 kg
<b>Weight with inlet fitting</b>	8,15 kg
<b>Fluid</b>	Min.B.Hyd.Oil
<b>Inlet</b>	G1 1/4"
<b>Outlet</b>	G 1/2"

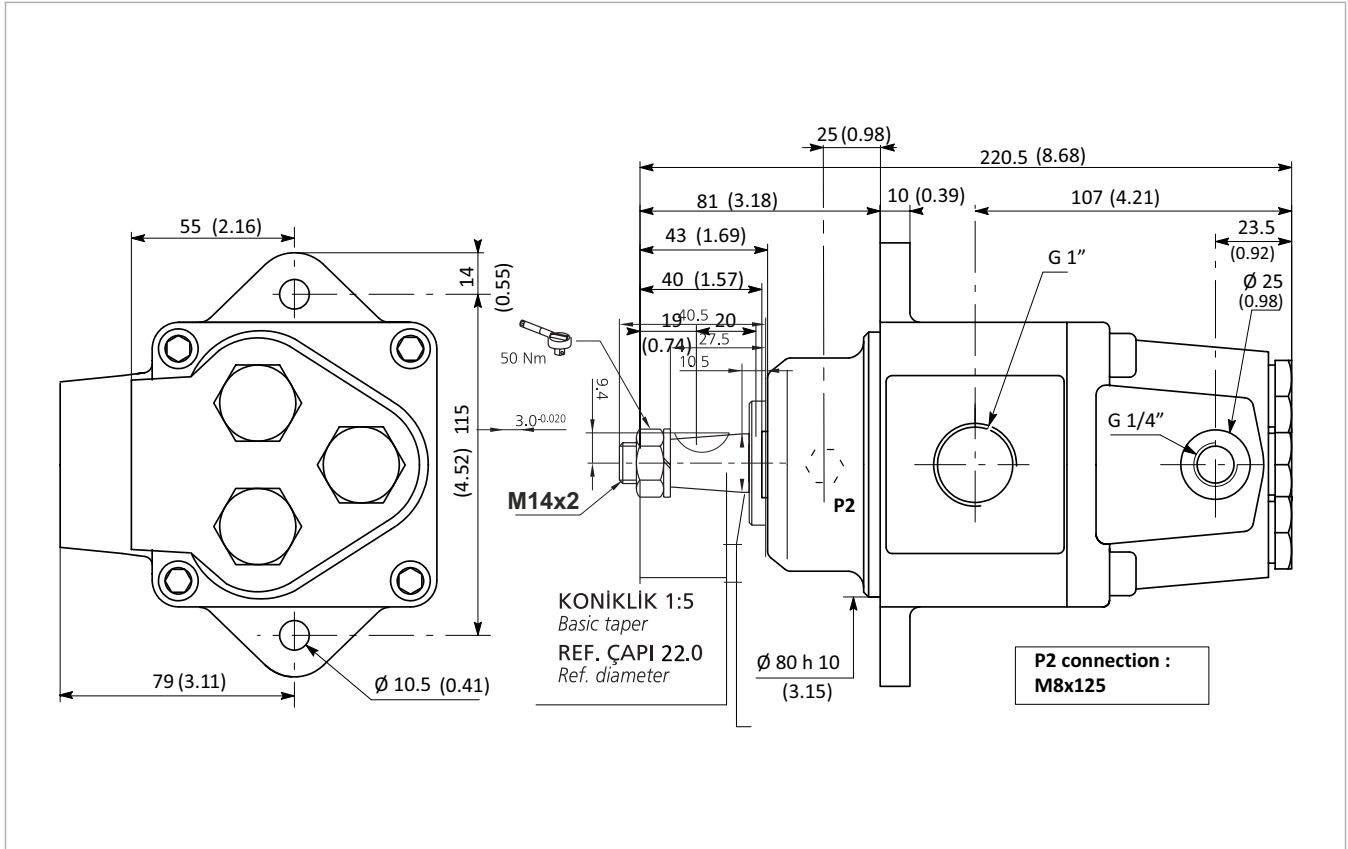


**CW**

Rotation :  
Fixed-Clock Wise



## A6HP 15 Lt. - Yüksek Basıncılı Pistonlu Pompa



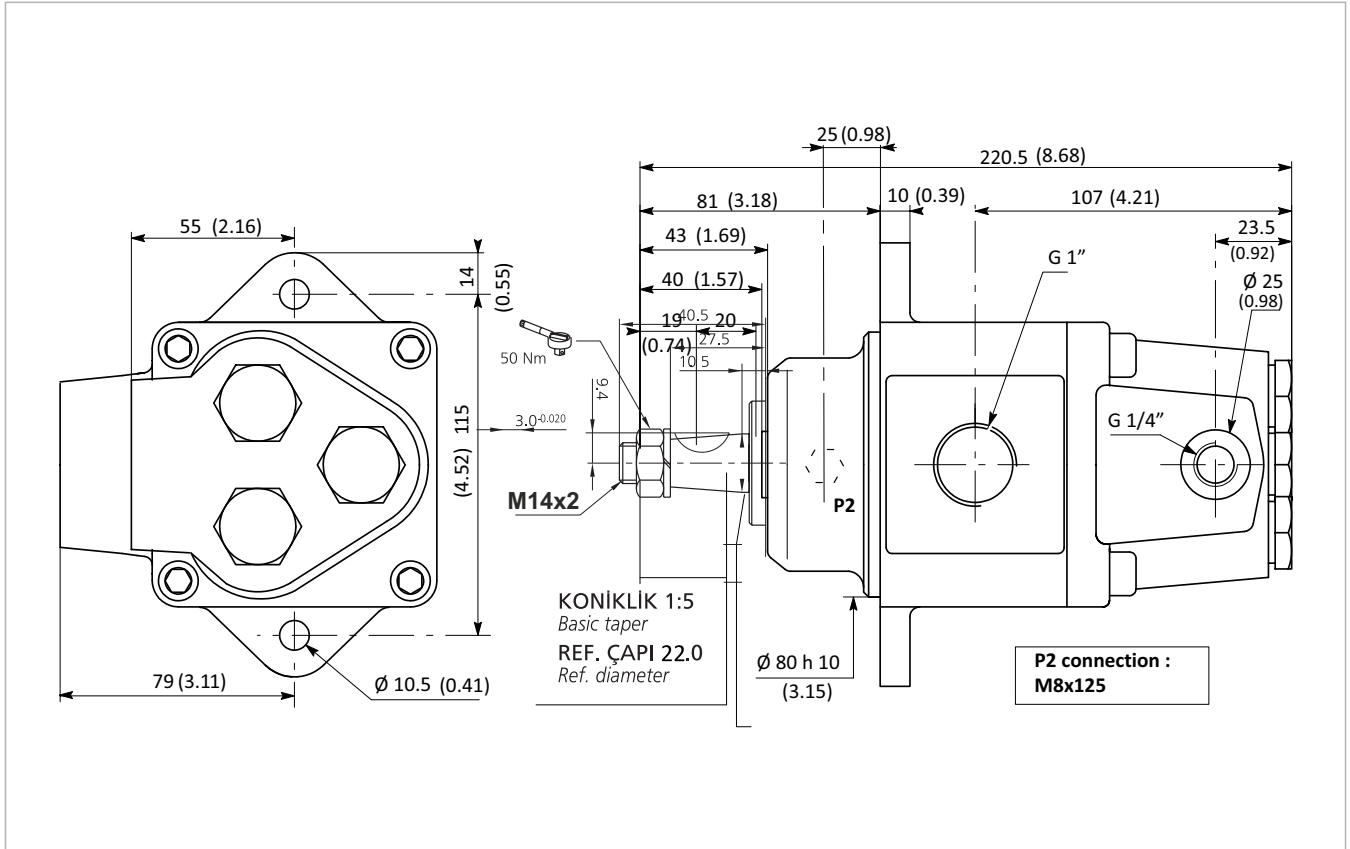
<b>x 1000 rpm</b>	10,50 Lt.
<b>x 1500 rpm</b>	15,75 Lt.
<b>Max. Continuous Pump Speed</b>	2800 rpm
<b>Max. Limited Pump Speed</b>	3000 rpm
<b>Max. Continuous Pressure</b>	400 bar
<b>Max. Intermit. Peak Pressure</b>	450 bar
<b>Weight without inlet fitting</b>	8,00 kg
<b>Weight with inlet fitting</b>	8,15 kg
<b>Fluid</b>	Min.B.Hyd.Oil
<b>Inlet</b>	G1 1/4"
<b>Outlet</b>	G 1/2"



**CW**

Rotation :  
Fixed-Clock Wise

## A6HP 22 Lt. - Yüksek Basıncılı Pistonlu Pompa



<b>x 1000 rpm</b>	14,73 Lt.
<b>x 1500 rpm</b>	22,09 Lt.
<b>Max. Continuous Pump Speed</b>	2800 rpm
<b>Max. Limited Pump Speed</b>	3000 rpm
<b>Max. Continuous Pressure</b>	400 bar
<b>Max. Intermit. Peak Pressure</b>	500 bar
<b>Weight without inlet fitting</b>	8,00 kg
<b>Weight with inlet fitting</b>	8,15 kg
<b>Fluid</b>	Min.B.Hyd.Oil
<b>Inlet</b>	G1 1/4"
<b>Outlet</b>	G 1/2"



**CW**

Rotation :  
Fixed-Clock Wise

High Pressure Piston Pumps designed for Industrial Area.

### INSTALLATION

- Remove the protective covers off the inlet and output ports when connecting tubes or hosing.
- Rinse the tank and the tubes or hoses well to remove any possible contaminants.
- Before connecting up the pump inlet port, fill the tank and allow the oil to flow into a receptacle. This oil can be re-used after proper filtration.

### OIL SUPPLY

Oil and supply line should be clean, and the supply line is airtight.

### SUCTION LINE

Connect the suction line, tighten the suction connection bolts in diametric pairs.  
Connect the pressure line.

### REPAIR

We offers a comprehensive range of services for the repair of our Piston Pumps.  
Repairs to the High Pressure Pump may only be performed by authorized, skilled and instructed personnel.  
Only use original and pre-installed our spare parts from supplied to Manufacturer..

Tested and pre-installed pumps successful repair requiring only little time.

### SPARE PARTS

The spare parts list and the pump order specific.  
When ordering spare parts, quote the material and complete Ordering code number of the Piston Pump as well as the right numbers of the spare parts.

### RISK OF DAMAGE!

Do not touch the drive shaft of the Piston Pump  
Do not touch sensor, valves and fittings  
Do not touch sealing surfaces.

### DIMENSIONS & WEIGHTS

		02	04	06	12	15	22
- Without inlet fitting	<b>kg</b>	5,50	5,50	5,50	8,00	8,00	8,00
- With inlet fitting	<b>kg</b>	5,60	5,60	5,60	8,15	8,15	8,15

Address all questions regarding spare parts to your responsible Our Service Partner or the technical service department of the manufacture's plant / factory for the Piston Pumps.

**AVAILABLE VIA E-MAIL ON REQUEST OR EACH PUMP IS  
SUPPLIED VIA STARTING AND INSTALLATION DATASHEETS**

## Complete Product Range

### Bent Axis Piston Motors

A9MD (DIN) Bent Axis Motors  
A9MO (ISO) Bent Axis Motors  
A9MS (SAE) Bent Axis Motors  
A9ML (SAE2) Bent Axis Motors  
A9MF (Fixed Plugin) Bent Axis Motors  
A10M (HYBRID) Bent Axis Motors  
A7GM Hydraulic Gear Motors  
A7GMT Tandem Hydraulic Gear Motors

### Bent Axis Piston Pumps

A8P (Aluminum) Bent Axis Pumps  
A8PD (DIN) Bent Axis Pumps  
A8PO (ISO) Bent Axis Pumps  
A8PS (SAE) Bent Axis Pumps  
A8PF (Fixed Plugin) Bent Axis Pumps  
A10 (HYBRID) Bent Axis Pumps  
A11 (ISO2) Bent Axis Pumps  
A11 (SAE2) Bent Axis Pumps

### Variable Displacement Pumps

A12V Variable Displacement Piston Pumps

### Dual Flow Piston Pumps

A8PL (DIN) Dual Flow Pumps

### Axial Piston & Gear Pumps

A4PP Axial Hydraulic Piston Pumps  
A6HP High Pressure Piston Pumps  
A7GP Hydraulic Gear Pumps  
A7GPT Tandem Hydraulic Gear Pumps

### Valve (ByPass) (Flushing) (Cavitation)

Circulation Valve  
ByPass Valve  
Anti-Cavitation Valve  
Flushing Valve  
LS Valve  
AntiShock Valve  
Speed Sensor

### Hydraulic Spare Parts

Suction Fittings  
Couplars  
Adapters  
Flanges  
Power Take Off  
Monoblock Valve  
Section Valve

## Hydraulic Pumps, Motors

Bent Axis Hydraulic Piston Motors, Bent Axis Hydraulic Piston Pumps, Piston Pumps, Variable Displacement Piston Pumps, Variable Displacement Piston Motors, Axial Piston Pumps, High Pressure Piston Pumps, Gear Pumps, Gear Motors, Hydraulic Valve.

[www.hydrogold.com.tr](http://www.hydrogold.com.tr)

### Address;

**HYDROGOLD HİDROLİK PNM. MAK. SAN. TİC. LTD. ŞTİ.**

**Address; (Fabrika, İmalat)**

Fevzicakmak Mah. Sıla Cad. Kobisan 3 San. Sit.

No: 73 / C Karatay – Konya, PO Code; 42050, Türkiye

**Address; (Montaj, Sevkiyat)**

Fevzicakmak Mah. Sıla Cad. Kobisan 3 San. Sit.

No: 71 / AD Karatay – Konya, PO Code; 42050, Türkiye

**Phone; +90 332 248 92 01**

[info@hydrogold.com.tr](mailto:info@hydrogold.com.tr)